

ILE1F661PB1A8

brushless dc motor 24..36 V - CANopen DS301 interface - L = 174 mm - 115:1



Main

Range of product	Lexium integrated drive
Product or component type	Motion integrated drive
Device short name	ILE
Motor type	Brushless dc motor
Number of motor poles	6
Network number of phases	Single phase
[Us] rated supply voltage	24 V 36 V
Network type	DC
Communication interface	Integrated CANopen DS301
Length	229 mm
Winding type	Medium speed of rotation and medium torque
Electrical connection	Printed circuit board connector
Holding brake	Without
Gear box type	Worm gear, 3 stages
Reduction ratio	115:1 (3675:32)
Nominal speed	35 rpm at 36 V 35 rpm at 24 V
Nominal torque	10.6 N.m at 36 V 10.2 N.m at 24 V

Complementary

Transmission rate	50, 100, 125, 250, 500, 800 and 1000 kbauds
Mounting support	Flange
Motor flange size	66 mm
Number of motor stacks	1
Centring collar diameter	36 mm
Number of mounting holes	2
Mounting holes diameter	4.4 mm
Feedback type	BLDC encoder
Shaft end	Hole
Second shaft	Without second shaft end
Supply voltage limits	18...40 V
Current consumption	5500 mA (maximum continuous) 7000 mA (peak)
Associated fuse rating	10 A
Input/Output type	4 signals (each be used as input or output)
Voltage state 0 guaranteed	-3...4.5 V
Voltage state 1 guaranteed	15...30 V
Discrete input current	2 mA at 24 V for 24 V signal interface <= 3 mA at 24 V on/STO_B for safety input <= 10 mA at 24 V on/STO_A for safety input
Discrete output voltage	23...25 V
Maximum switching current	200 mA total 100 mA per output
Protection type	Overload of output voltage Safe torque off Short circuit of the output voltage

Supply current	Supply: 3.8 A, 36 V Supply: 6.8 A, 24 V Supply: 0.1 A, power stage disabled
Nominal output power	39 W at 36 V 37 W at 24 V
Peak stall torque	20.7 N.m at 36 V 14.95 N.m at 24 V
Continuous stall torque	14 N.m
Detent torque	16.7 N.m
Speed feedback resolution	0.26° (gearbox output) 12 points/turn (motor)
Accuracy error	+/- 1 point
Torsional backlash	<= 1 °
Rotor inertia	1980 kg.cm ²
Maximum mechanical speed	44 rpm
Maximum radial force Fr	200 N
Maximum axial force Fa	80 N
Service life in hours	9000 h of bearing :
Marking	CE
Type of cooling	Natural convection
Product weight	2.3 kg

Environment

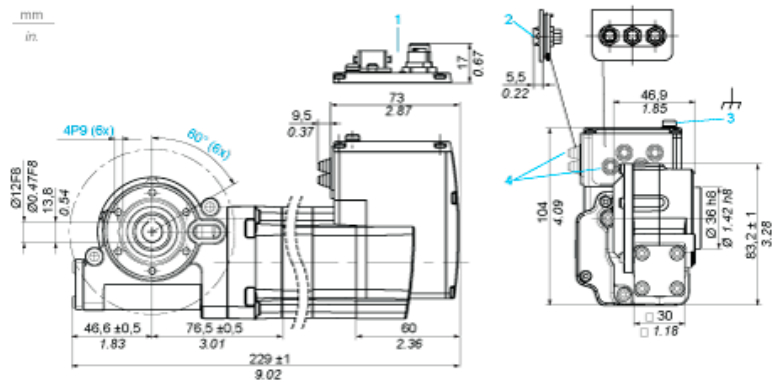
Standards	EN 50347 EN 61800-3:2001, second environment EN 61800-3 : 2001-02 EN/IEC 50178 EN/IEC 61800-3 IEC 60072-1 IEC 61800-3, Ed 2
Product certifications	CUL TÜV UL
Ambient air temperature for operation	0...50 °C without derating > 50...65 °C with power derating of 2 % per °C
Permissible ambient air temperature around the device	110 °C (motor) 105 °C (power amplifier)
Ambient air temperature for storage	-25...70 °C
Operating altitude	<= 1000 m without derating
Relative humidity	15...85 % without condensation
Vibration resistance	20 m/s ² (f = 10...500 Hz) for 10 cycles conforming to EN/IEC 60068-2-6
Shock resistance	150 m/s ² for 1000 shocks conforming to EN/IEC 60068-2-29
IP degree of protection	IP54 total except shaft bushing conforming to EN/IEC 60034-5 IP41 shaft bushing conforming to EN/IEC 60034-5

Offer Sustainability

Sustainable offer status	Not Green Premium product
RoHS (date code: YYWW)	Compliant - since 0922 - Schneider Electric declaration of conformity
REACH	Reference not containing SVHC above the threshold

Integrated Drive with Worm Gear

Dimensions

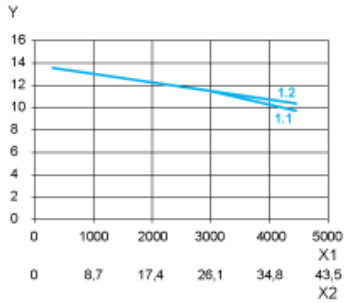


- 1 Option: industrial connectors
- 2 Accessories: I/O signal insert with industrial connectors
- 3 Earth (ground) terminal
- 4 Accessories: cable entries $\varnothing = 3 \dots 9$ mm/0.12 \dots 0.35 in.

Connection Example with 4 I/O Signals



Torque Characteristics



- X1 Speed of rotation of motor in rpm
- X2 Speed of rotation of gearing in rpm
- Y Torque in Nm
- 1.1 Max. torque at 24 V
- 1.2 Max. torque at 36 V