

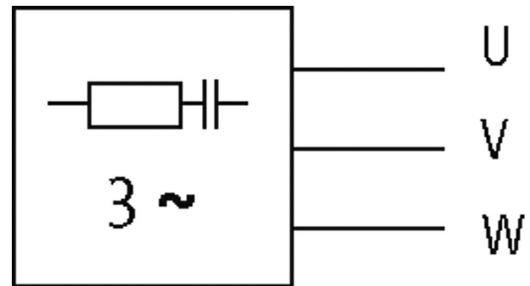
MOTOR SUPPRESSOR

RC, 3x400VAC/10kW

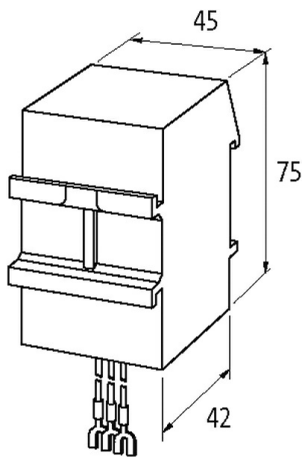
3× 400 V AC

RC

Suppressors for other voltages, frequencies, and motor ratings available on request. Do not use RC motor suppressors with frequency inverters.

[Link to Product](#)**Illustration**

RC



Product may differ from Image

**Technical Data**

Frequency	50...60 Hz
Input voltage	400...400 V AC
Material	Flame retardant plastic acc. to (UL 94)
Potting compound	2-component epoxy

General data

Temperature range	-20...+60 °C
-------------------	--------------

Connection	approx. 250 mm, single cores 0.5 mm ² , with self-securing fork terminal ends M4
Dimensions H×W×D	75×45×42 mm

Commercial data

country of origin	CZ
customs tariff number	85363010
EAN	4048879019651
eClass	27371013
Packaging unit	1.000