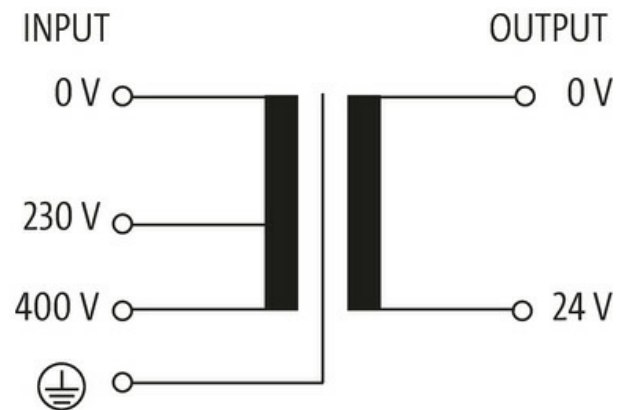


MST 1-PHASE SAFETY TRANSFORMER

P: 400VA IN: 230/400VAC OUT: 24VAC

Single-phase safety transformer
400 VA
Isolation class T 40/B
Other voltages on request.

[Link to Product](#)**Illustration**

Product may differ from Image

**General data**

Standards	EN 61558-1, EN 61558-2-6, EN 62041 category 0
Mounting method	Key-hole mounting
Temperature range	-20...+40 °C (storage temperature -40...+80 °C)
Test isolation voltage	4 kV (prim./sec.)
Drill hole Ø	5.8×10 mm
Fixing centers a×b×c	86.5×90×5.8 mm

Dimensions H×W×D 104×120×123 mm

Output

Output voltage 24 V AC (SELV)
Output rating 400 VA

Input

Input voltage 230/400 V AC
Inrush current 52.3 A (230 V AC); 30.2 A (400 V AC)
Short-circuit current 43 A (230 V AC); 24.9 A (400 V AC)
Input current 1.95 A (230 V AC); 1.1 A (400 V AC)
Frequency 50...60 Hz

Commercial data

country of origin CZ
customs tariff number 85043180
EAN 4048879078603
eClass 27031302
Packaging unit 1.000