

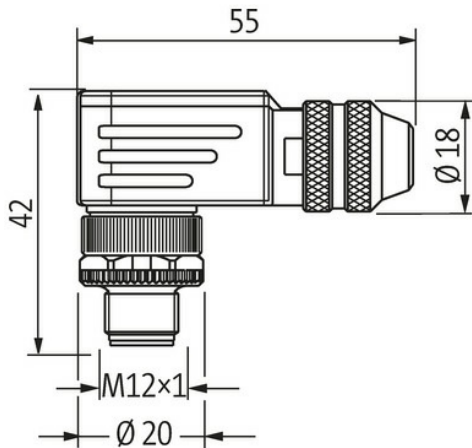
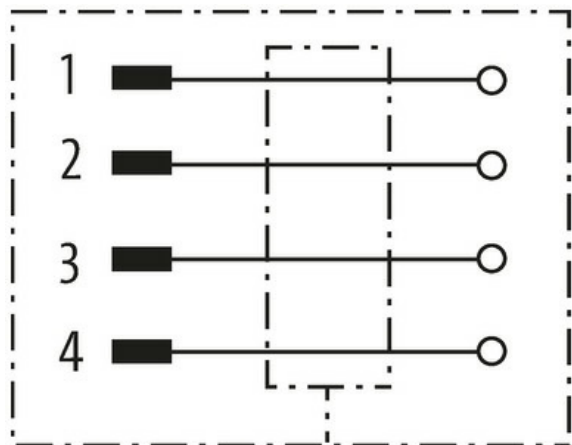
**M12 MALE D CODED 90° SELF-WIREABLE SCREW-TERM.**

Shielded 6..8 mm

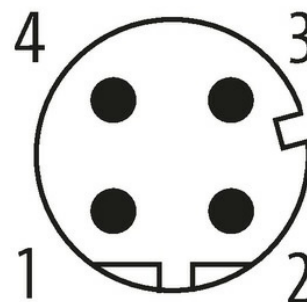
Ethernet CAT5  
 Male 90°  
 M12, 4-pole  
 D-coded  
 shielded  
 Screw terminals  
 Sealing range (cable Ø): 6...8 mm

[Link to Product](#)

**Illustration**



Male



Product may differ from Image

EtherNet/IP

PROFINET

EtherCAT

**Form**

Form 14581

**Technical Data**

Operating voltage max. 250 V AC/DC

Operating current per contact	max. 4 A
Transfer parameters	CAT5, Class D (ISO/IEC 11801:2002), (EN 50173-1)
Transfer rate	up to 100 Mbit/s full duplex
Coding	M12, D-coded
Connection cross section	max. 0.75 mm <sup>2</sup>
Sealing range (cable Ø)	6...8 mm
Protection	IP67 inserted and tightened (EN 60529)
Locking material	Zinc die casting, matte nickel plated

**General data**

Temperature range	-40...+85 °C
-------------------	--------------

**Commercial data**

country of origin	DE
customs tariff number	85366990
EAN	4048879282895
eClass	27279221
Packaging unit	1.000