

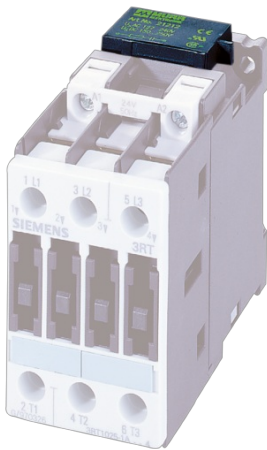
SIEMENS CONTACTOR SUPPRESSOR

RC, 24VDC

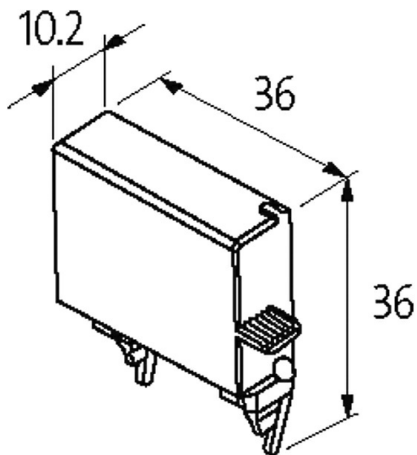
24 V AC/DC

RC

For other configurations and voltages, please inquire.

[Link to Product](#)**Illustration**

RC



Product may differ from Image

**Technical Data**

Input voltage 24...70 V AC/DC

General data

Temperature range -20...+70 °C

Dimensions H×W×D 36×36×10.2 mm

Appropriate contactors

3 RT 10.24/25/26

Commercial data

country of origin	CZ
customs tariff number	85363010
EAN	4048879019965
eClass	27371013
Packaging unit	1.000