

## SIEMENS CONTACTOR SUPPRESSOR

Diode, 0...240VDC

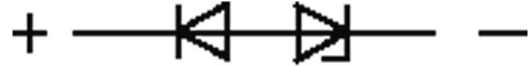
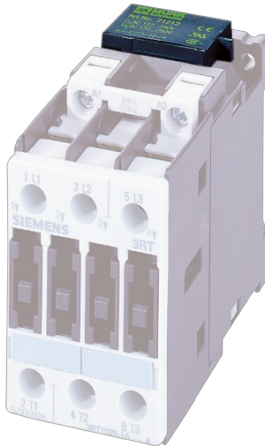
24 V AC/DC

Diode/Z-Diode

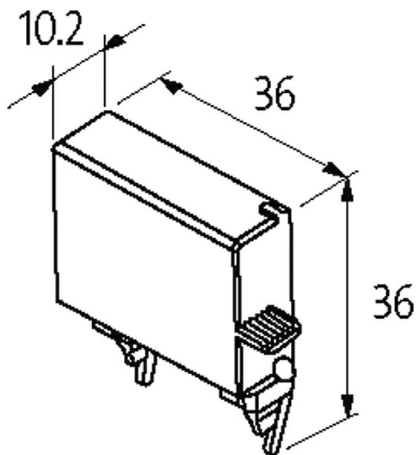
For other configurations and voltages, please inquire.

### [Link to Product](#)

#### Illustration



## Diode/Z-Diode



Product may differ from Image



#### Technical Data

Input voltage 0...30 V DC

#### General data

Temperature range -20...+70 °C

Dimensions H×W×D 36×36×10.2 mm

#### Appropriate contactors

3 RT 10.24/25/26

**Commercial data**

country of origin	CZ
customs tariff number	85363010
EAN	4048879017558
eClass	27371013
Packaging unit	1.000