

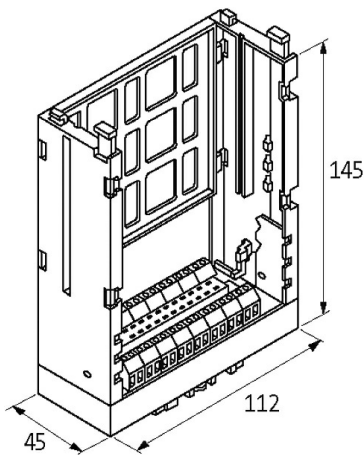
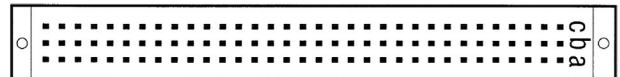
EUROCARD HOLDER

SKT 32 C

Screw terminals
32-pole C (EN 60603)
Row a, c
The D2 size is for a card without a front plate.

[Link to Product](#)

Illustration



Product may differ from Image

Technical Data

Operating voltage	250 V AC
Operating current	max. 2 A
Material group	EN 60664-1 over voltage, category I
Material	Plastic, flame retardant
Configuration	32-pole C (EN 60603)

General data

Mounting method	DIN-rail mountable (EN 60715) in vertical or horizontal position or screw fixing
Connection	4 mm ² single core
Dimensions H×W×D	112×45×145 mm

Description

The information in this brochure has been compiled with the utmost care.
Liability for the correctness completeness and topicality of the information is restricted to gross negligence. Version: 03/22

Functional description

To insert the card first press down the 2 yellow buttons. Then slide the Eurocard into the guide slots pushing until fully engaged. The card is now locked into position. It can be removed by pressing down on the 2 yellow buttons.

Commercial data

country of origin	CZ
customs tariff number	85366990
EAN	4048879041980
eClass	27260710
Packaging unit	1.000