

EMPARRO CAP BUFFER MODULE

IN: 24VDC OUT: 24VDC/20A for max. 1A/40s

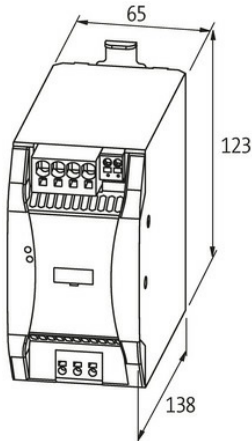
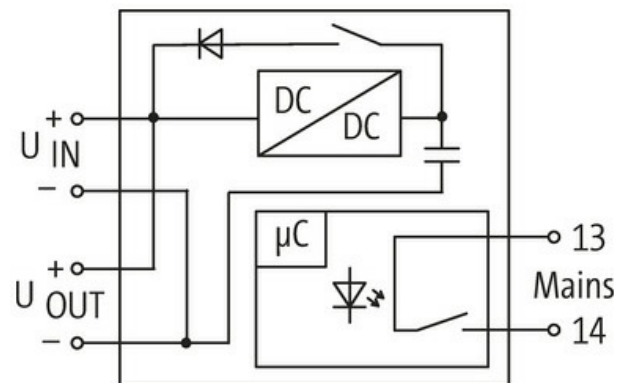
INPUT: 24 V DC (SELV/PELV)

OUTPUT: max. 20 A

1.0 s (20 A); 40 s (1 A)

[Link to Product](#)

Illustration



Product may differ from Image



General data

Standards	EN 61000-6-2, EN 61000-6-4
Mounting method	DIN-rail mountable TH35-7.5/TH35-15 (EN 60715)
Temperature range	-40...+60 °C (storage temperature -40...+60 °C)
Efficiency	min. 90%
Dimensions H×W×D	123×65×138 mm

Output

The information in this brochure has been compiled with the utmost care. Liability for the correctness completeness and topicality of the information is restricted to gross negligence. Version: 03/22

Output voltage	25.5...19 V DC $\pm 2\%$
Parallel circuit	possible
Current limit	65 A
Buffer time	1.0 s (20 A); 40 s (1 A)
Output current	max. 20 A

Input

Input voltage	21.6...26.4 V DC
Inrush current	max. 25 A
Loading current	max. 3 A
Loading time	max. 75 s

Commercial data

country of origin	DE
customs tariff number	85322900
EAN	4048879436700
eClass	27049190
Packaging unit	1.000