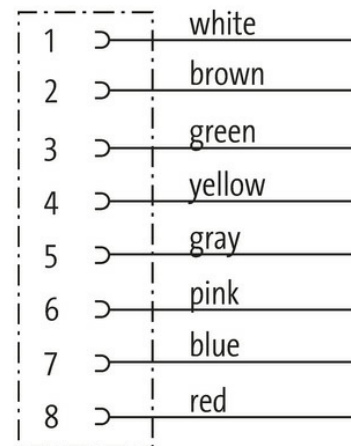
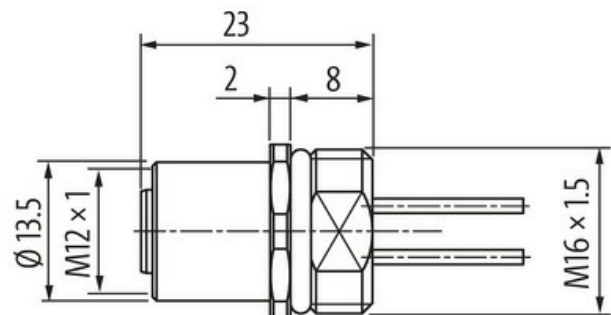
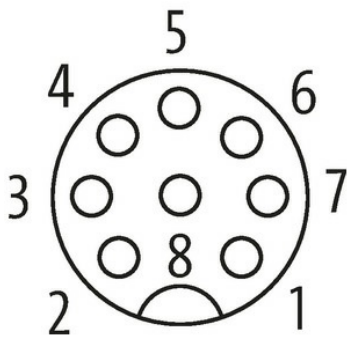


M12 female recept. A-cod. front

PVC-wires 8x0.25 0.2m

Flange female
M12, 8-pole
Front mounting
with multi-strand wire

[Link to Product](#)**Illustration****Female**

Product may differ from Image

**Form**

Form 17181

Technical Data

Operating voltage	max. 30 V AC/DC
Rated surge voltage	0.8 kV
Operating current per contact	max. 2 A

Locking of ports	Screw thread (M12×1 mm) recommended torque 0.6 Nm, self-securing
Protection	IP67 inserted and tightened (EN 60529)
Protection NEMA	3, 4, 6P (UL 50E)

General data

Temperature range	-25...+85 °C
-------------------	--------------

Cables

No./diameter of wires	8× 0.25 mm ²
Wire isolation	PVC (bl, wh, gn, ye, gr, pk, rd, br)
Outer Ø	1.15 mm ±5%
Cable number	903
Temperature range (fixed)	-40...+105 °C
Temperature range (mobile)	-5...+105 °C
Bend radius (fixed)	12× outer Ø

Commercial data

country of origin	DE
customs tariff number	85444290
EAN	4048879295031
eClass	27279220
Packaging unit	1.000