

M12 MALE ON REAR OF MSUD VALVE PLUG FORM B 10 MM

Form B (10 mm) – M12, connector at the rear

24 V AC/DC $\pm 25\%$

LED (yellow)

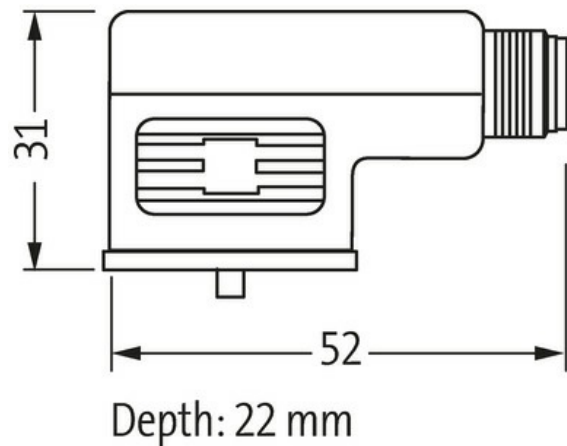
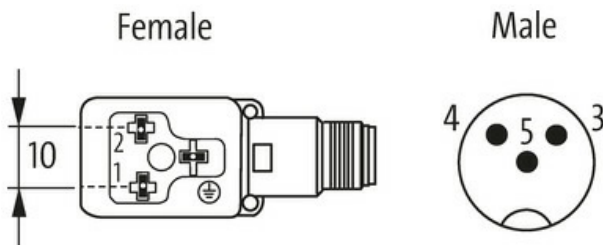
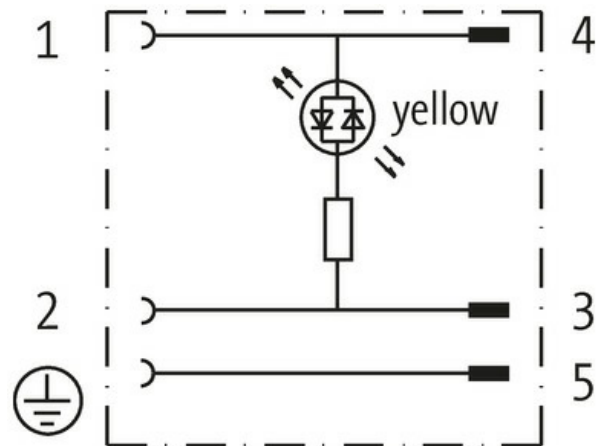
3-pole

Plastic housings with good resistance against chemicals and oils.

The resistance to aggressive media should be individually tested for your application. Further details on request.

[Link to Product](#)

Illustration



Product may differ from Image



Form

Form 41941

Technical Data

Operating voltage	24 V AC/DC $\pm 25\%$
Operating current per contact	max. 4 A
Locking of ports	M3/M12 \times 1 mm (recommended torque 0.4/0.6 Nm)

Protection	IP67 inserted and tightened (EN 60529)
------------	--

Configuration	2 contacts + PE
---------------	-----------------

General data

Temperature range	-25...+85 °C
-------------------	--------------

Commercial data

country of origin	CZ
-------------------	----

customs tariff number	85366990
-----------------------	----------

EAN	4048879143363
-----	---------------

eClass	27143423
--------	----------

Packaging unit	1.000
----------------	-------