

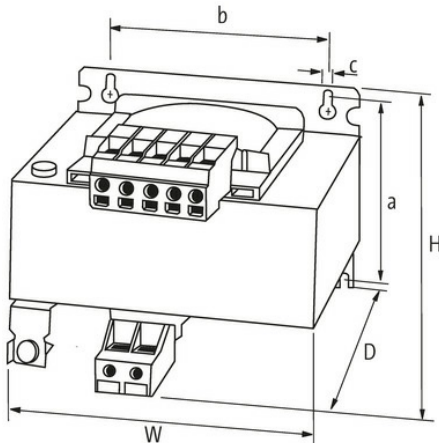
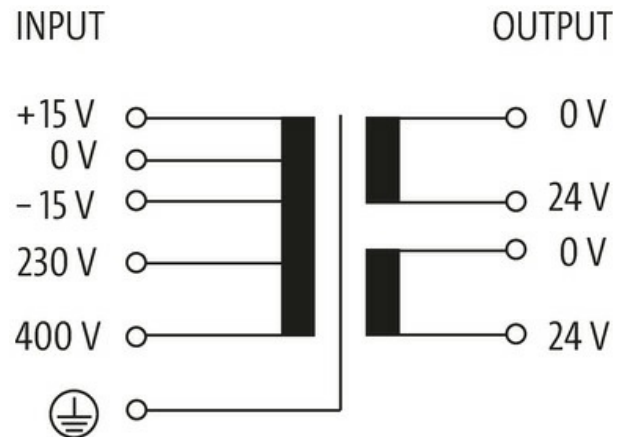
## MST 1-PHASE SAFETY TRANSFORMER

P: 2500VA IN: 230/400VAC+/-15VAC OUT:2x24VAC

Single-phase safety transformer  
2500 VA  
Isolation class T 40/B

### [Link to Product](#)

#### Illustration



Product may differ from Image



#### General data

Standards	EN 61558-1, EN 61558-2-4, EN 62041 category 0
Mounting method	Long-hole mounting
Temperature range	-20...+40 °C, no condensation
Test isolation voltage	5.8 kV (prim./sec.)
Drill hole Ø	10×18 mm
Fixing centers a×b×c	150×150×10 mm

Dimensions H×W×D 182×192×242 mm

**Output**

Output voltage 1 × 24/1 × 48/2 × 24 V AC  
Output rating 2500 VA

**Input**

Input voltage 230/400 ±15 V AC  
Inrush current 205 A (230 V AC); 98 A (400 V AC)  
Short-circuit current 504 A (230 V AC); 300 A (400 V AC)  
Input current 11.1 A (230 V AC); 6.5 A (400 V AC)  
Frequency 50...60 Hz

**Commercial data**

country of origin CZ  
customs tariff number 85043200  
EAN 4048879366823  
eClass 27031302  
Packaging unit 1.000