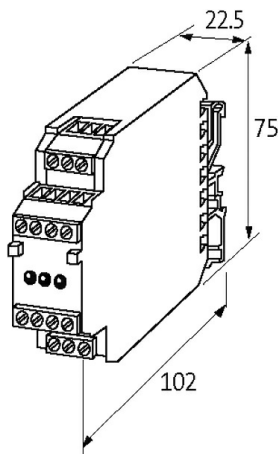
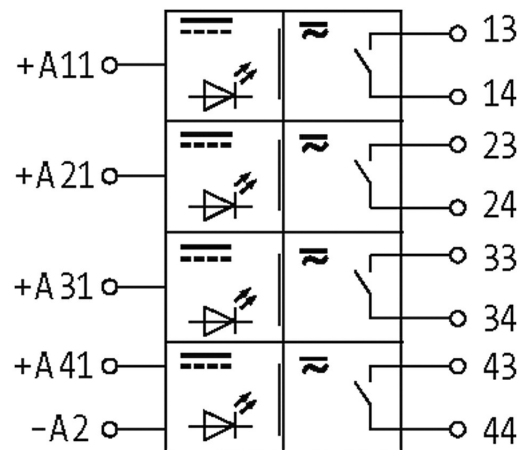


RM 41/24VDC OUTPUT RELAY

IN: 24 VDC - OUT: 250 VAC/DC / 5 A

4 relays; each 1 NO contact
 5 A
 24 V DC
 Screw terminals

[Link to Product](#)**Illustration**

Product may differ from Image

General data

| | |
|------------------------|--|
| Mounting method | DIN-rail mountable TH35 or G32 (EN 60715) |
| Temperature range | -20...+50 °C |
| Test isolation voltage | 4.0 kV |
| Mech./ elect. life | 50 000 000 switching cycles/load dependent |
| Dimensions HxWxD | 75x22.5x102 mm |

Output

| | |
|--------------------------------------|------------------|
| Min. load current | 100 mA |
| Contact material | Ag hv |
| Energize/release/contact bounce time | 10/10/2 ms |
| Switching voltage | max. 250 V AC/DC |

| | |
|---------------------|-------------------------|
| Switching frequency | max. 0.1 Hz (with load) |
|---------------------|-------------------------|

| | |
|----------------------------------|--------------------|
| Power rating (voltage dependent) | max. 1250 VA/240 W |
|----------------------------------|--------------------|

| | |
|------------------------------|----------|
| Switching current per output | max. 5 A |
|------------------------------|----------|

Input

| | |
|------------------------------|----------------------------------|
| Connection voltage - current | 24 V DC (19.2...30 V DC) - 16 mA |
|------------------------------|----------------------------------|

| | |
|-------------|-----------|
| LED display | LED (red) |
|-------------|-----------|

Utilization category

| | |
|-------|-----------------------|
| AC-15 | 3 A (24/110/230 V AC) |
|-------|-----------------------|

| | |
|------|-----------------------|
| AC-1 | 5 A (24/110/230 V AC) |
|------|-----------------------|

| | |
|-------|--|
| DC-13 | 1.5 A (24 V DC); 0.3 A (110 V DC); 0.15 A (230 V DC) |
|-------|--|

Commercial data

| | |
|-------------------|----|
| country of origin | CZ |
|-------------------|----|

| | |
|-----------------------|----------|
| customs tariff number | 85364900 |
|-----------------------|----------|

| | |
|-----|---------------|
| EAN | 4048879024907 |
|-----|---------------|

| | |
|--------|----------|
| eClass | 27371601 |
|--------|----------|

| | |
|----------------|-------|
| Packaging unit | 1.000 |
|----------------|-------|