

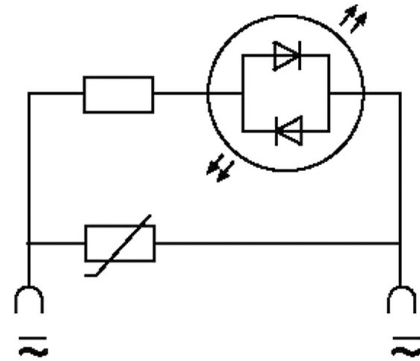
VALVE PLUG SUPPRESSOR FORM A - 18MM

Varistor and LED, 230VAC/DC/100VA/W

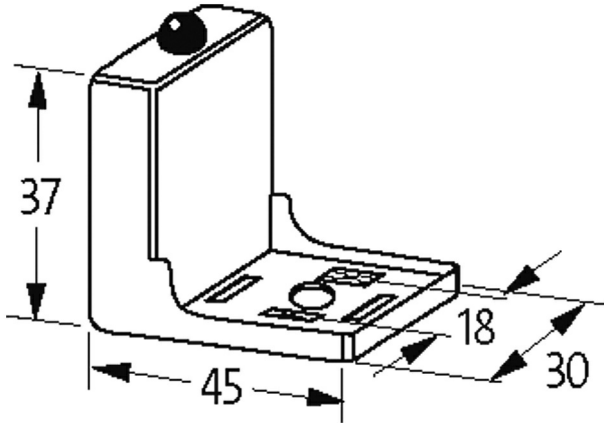
230 V AC/DC

VDR + LED

Remove plug gasket when fitting adapter. Other LED colors on request.

[Link to Product](#)**Illustration**

LED + VDR



Product may differ from Image

Technical Data

Switch off peak	max. 360 V
LED display	(yellow opac)
Input voltage	110...250 V AC/DC
max. power (W)	max. 100 W (VA)
Switch off delay time	min. 15 ms

General data

Material (contact)	Silvered bronze
Temperature range	-20...+60 °C
Housing	Polyamide black, flame retardant, temperature resistance up to 130 °C
Dimensions H×W×D	37×45×30 mm

Commercial data

country of origin	CZ
-------------------	----

customs tariff number	85363010
EAN	4048879012201
eClass	27371013
Packaging unit	1.000