



Main

| | |
|---------------------------|--|
| Range of product | Lexium integrated drive |
| Product or component type | Motion integrated drive |
| Device short name | ILS |
| Motor type | 3-phase stepper motor |
| Number of motor poles | 6 |
| Network number of phases | Single phase |
| [Us] rated supply voltage | 24 V 36 V |
| Network type | DC |
| Communication interface | Integrated RS485 |
| Length | 115.9 mm |
| Winding type | Medium speed of rotation and medium torque |
| Electrical connection | Industrial connector |
| Holding brake | Without |
| Gear box type | Without |
| Nominal speed | 600 rpm at 36 V 300 rpm at 24 V |
| Nominal torque | 0.9 N.m |
| Holding torque | 1.02 N.m |

Complementary

| | |
|---------------------------------------|---|
| Transmission rate | 9.6, 19.2 and 38.4 kbauds |
| Mounting support | Flange |
| Motor flange size | 57 mm |
| Number of motor stacks | 2 |
| Centring collar diameter | 38.1 mm |
| Centring collar depth | 1.6 mm |
| Number of mounting holes | 4 |
| Mounting holes diameter | 5.2 mm |
| Circle diameter of the mounting holes | 66.6 mm |
| Feedback type | Index pulse |
| Shaft end | Untapped |
| Second shaft | Without second shaft end |
| Shaft diameter | 6.35 mm |
| Shaft length | 21 mm |
| Supply voltage limits | 18...40 V |
| Current consumption | 3500 mA (maximum) |
| Associated fuse rating | 10 A |
| Input/Output type | 4 signals (each be used as input or output) |
| Voltage state 0 guaranteed | -3...4.5 V |
| Voltage state 1 guaranteed | 15...30 V |
| Discrete input current | 2 mA at 24 V for 24 V signal interface <= 3 mA at 24 V on/STO_B for safety input <= 10 mA at 24 V on/STO_A for safety input |
| Discrete output voltage | 23...25 V |
| Maximum switching current | 200 mA total 100 mA per output |

| | |
|---------------------------|--|
| Protection type | Overload of output voltage Safe torque off Short circuit of the output voltage |
| Peak stall torque | 0.9 N.m |
| Continuous stall torque | 0.9 N.m |
| Speed feedback resolution | 20000 points/turn |
| Accuracy error | +/- 6 arc min |
| Rotor inertia | 0.22 kg.cm ² |
| Maximum mechanical speed | 3000 rpm |
| Maximum radial force Fr | 24 N |
| Maximum axial force Fa | 8.4 N (force pressure) 100 N (tensile force) |
| Service life in hours | 20000 h of bearing : |
| Marking | CE |
| Type of cooling | Natural convection |
| Product weight | 1.6 kg |

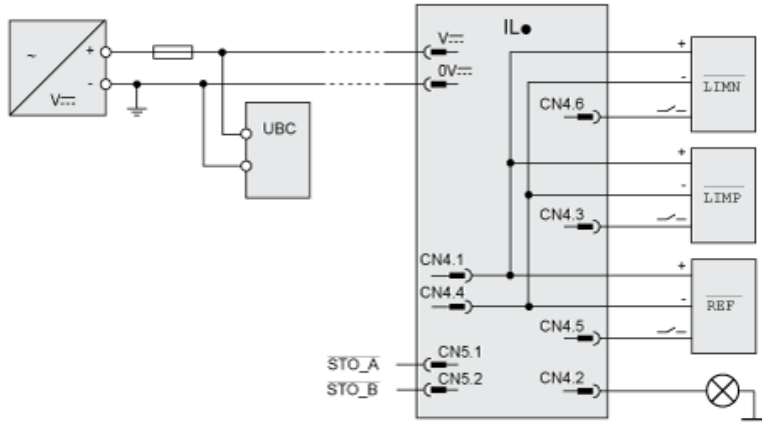
Environment

| | |
|---|---|
| Standards | EN 50347 EN 61800-3:2001, second environment EN 61800-3 : 2001-02 EN/IEC 50178 EN/IEC 61800-3 IEC 60072-1 IEC 61800-3, Ed 2 |
| Product certifications | CUL TÜV UL |
| Ambient air temperature for operation | 0...50 °C without derating > 50...65 °C with power derating of 2 % per °C |
| Permissible ambient air temperature around the device | 110 °C (motor) 105 °C (power amplifier) |
| Ambient air temperature for storage | -25...70 °C |
| Operating altitude | <= 1000 m without derating |
| Relative humidity | 15...85 % without condensation |
| Vibration resistance | 20 m/s ² (f = 10...500 Hz) for 10 cycles conforming to EN/IEC 60068-2-6 |
| Shock resistance | 150 m/s ² for 1000 shocks conforming to EN/IEC 60068-2-29 |
| IP degree of protection | IP54 total except shaft bushing conforming to EN/IEC 60034-5 IP41 shaft bushing conforming to EN/IEC 60034-5 |

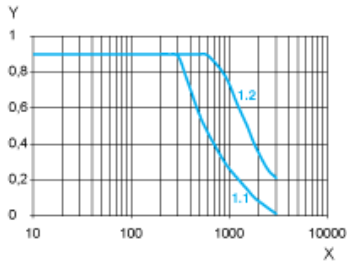
Offer Sustainability

| | |
|-------------------------------|---|
| Sustainable offer status | Not Green Premium product |
| RoHS (date code: YYWW) | Compliant - since 0922 - Schneider Electric declaration of conformity |
| REACH | Reference not containing SVHC above the threshold |
| Product environmental profile | Available Download Product Environmental |

Connection Example with 4 I/O Signals



Torque Characteristics



- X Speed of rotation in rpm
- Y Torque in Nm
- 1.1 Max. torque at 24 V
- 1.2 Max. torque at 36 V