

MVP12, 6XM12, 5POLE, M23 19POL. CON.

Connector exit 90°

6-way, 5-pole

M23 plug connection, 90°

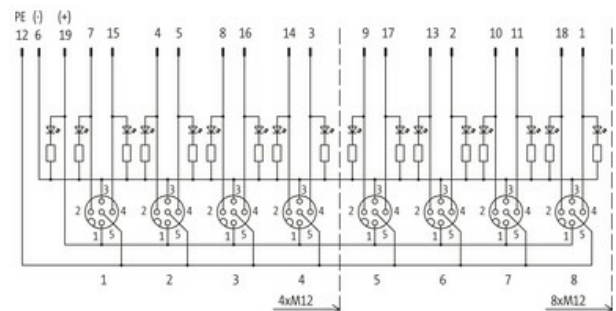
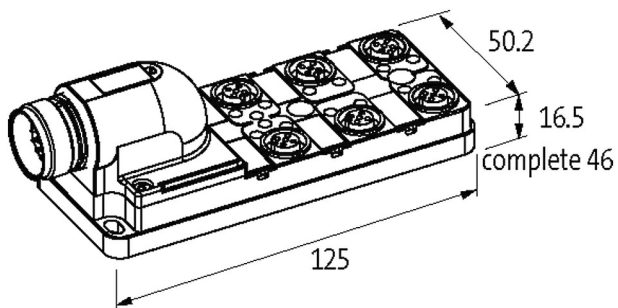
19-pole used

with LED for digital PNP-signals 24 V DC

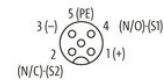
Plastic housings with good resistance against chemicals and oils.

The resistance to aggressive media should be individually tested for your application. Further details on request.

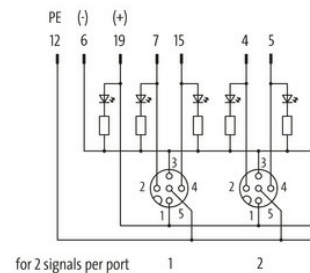
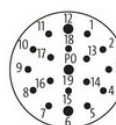
Further cable lengths on request.

Link to Product**Illustration**

M12-Females 5-pole



M23-Plug 19-pole



Product may differ from Image

**Technical Data**

Operating voltage	24 V DC
Operating current per contact	max. 4 A
Locking of ports	Screw thread (M12×1 mm)
Protection	IP67 inserted and tightened (EN 60529)
Housing	Plastic, flame retardant
Signal per port	2
Total current	max. 7.5 A

General data

Temperature range	-20...+80 °C
Dimensions HxWxD	125x50.2x16.5 mm

Contact Layout

PIN 1	(+)
PIN 2	(NC)/(S2)
PIN 3	(-)
PIN 4	(NO)/(S1)
PIN 5	(Earth)
LED (green): Power / LED (yellow): (S1/S2)	

Commercial data

country of origin	DE
customs tariff number	85369010
EAN	4048879063173
eClass	27279219
Packaging unit	1.000