

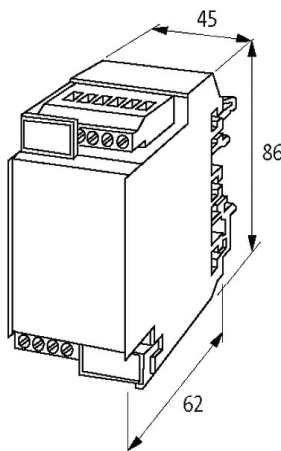
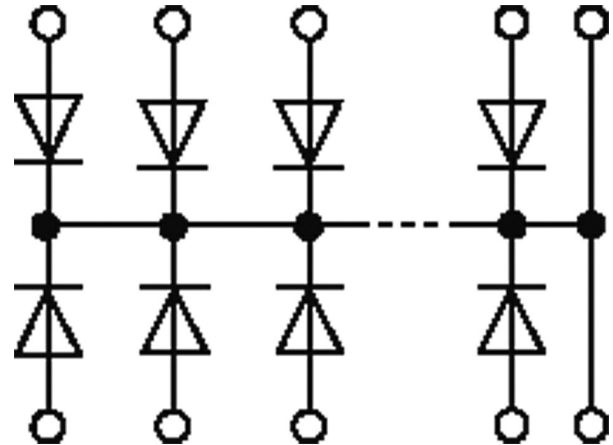
## MKS - D 20/1300-1 P DIODE MODULES

Mounting rail / screw-type terminal

Universal diode 1 300 V, 1 A  
20 diodes  
Common potential cathode

### [Link to Product](#)

#### Illustration



Product may differ from Image

#### Technical Data

Operating voltage max. 48 V AC/DC

#### General data

Mounting method DIN-rail mountable TH35 or G32 (EN 60715)

Temperature range -20...+60 °C

Connection Screw terminals: max. 4 mm<sup>2</sup>

Dimensions H×W×D 85×45×64 mm

#### Description

Functional description Diode modules are suitable for the suppression of inductive loads (valve, contactor, etc.)

#### Commercial data

country of origin CZ

customs tariff number	85411000
EAN	4048879041911
eClass	27371010
Packaging unit	1.000