

## SIEMENS CONTACTOR SUPPRESSOR

Diode and LED, 24VDC

24 V AC/DC

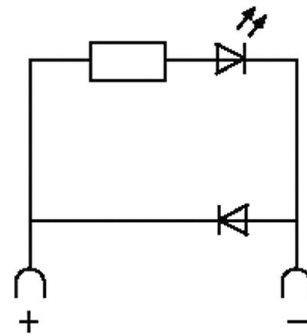
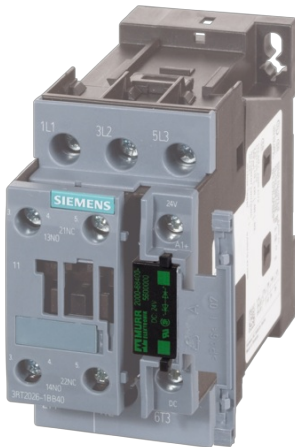
48 V AC/DC

Diode + LED

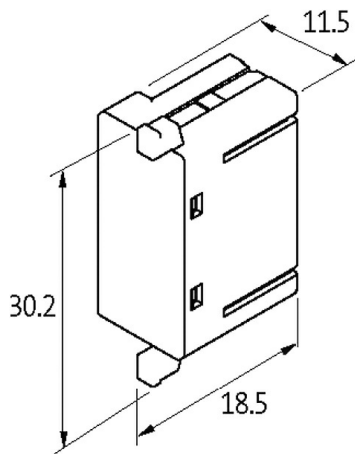
For other configurations and voltages, please inquire.

### [Link to Product](#)

#### Illustration



Diode + LED



Product may differ from Image



#### Technical Data

Input voltage	21...27 V DC
Material	Flame retardant plastic acc. to (UL 94)
Damping factor	approx. 1.5x UN
Connection wires	Plug contact

#### General data

Temperature range	-20...+70 °C
-------------------	--------------

The information in this brochure has been compiled with the utmost care.  
Liability for the correctness completeness and topicality of the information is restricted to gross negligence. Version: 03/22

Dimensions H×W×D 18.5×30.2×11.5 mm

**Appropriate contactors**

3 RT 20.25/26/27/28

**Commercial data**

country of origin	CZ
customs tariff number	85363010
EAN	4048879010894
eClass	27371013
Packaging unit	1.000