

MSCON-D ROUND PLUG CONNECTOR M23

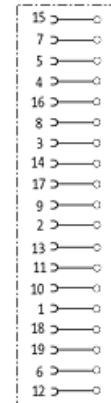
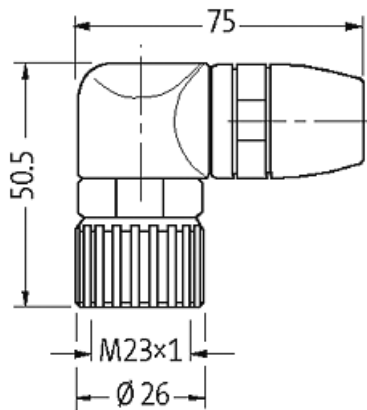
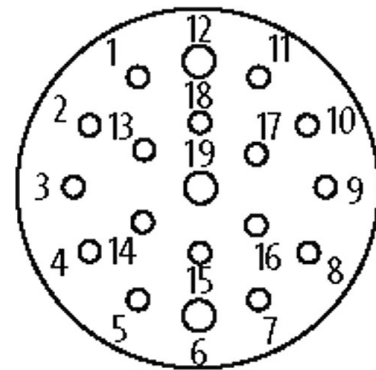
Female 90°
M23, 19-pole
Solder connection

[Link to Product](#)

Illustration



Female



Product may differ from Image

Form

Form 23361

Technical Data

Operating voltage	max. 125 V AC/DC
Operating current per contact	max. 8 A
Connection cross section	max. 1 mm ²
Sealing range (cable Ø)	8...14 mm
Connection	Solder buckets
Protection	IP67 inserted and tightened (EN 60529)

General data

Temperature range -25...+85 °C

Commercial data

country of origin DE
customs tariff number 85366990

EAN	4048879187787
eClass	27279221
Packaging unit	1