

M12 Xtreme male 90° A-cod. / valve plug MDC06-2s

PUR 2x0.75 bk UL/CSA+drag ch. 10m

Xtreme - Outdoor

Further cable lengths on request.

Male 90° – male straight

M12

4-pole

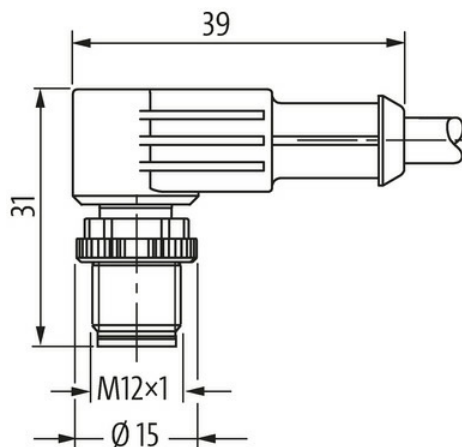
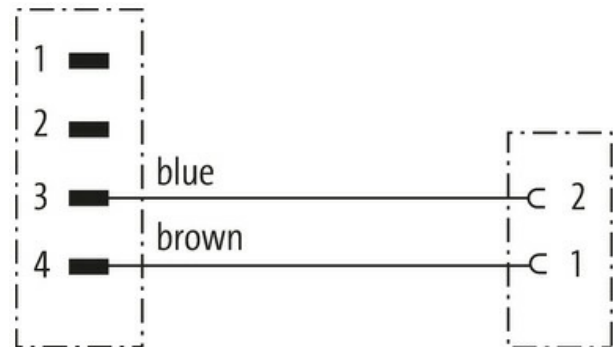
Deutsch MDC06-2S

2-pole

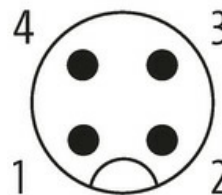
Art-No. 7005 - M12 Lite - (plastic hexagonal screw) on request

Plastic housings with good resistance against chemicals and oils.

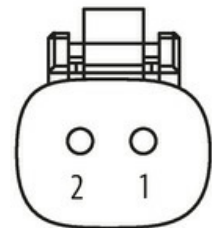
The resistance to aggressive media should be individually tested for your application. Further details on request.

Link to Product**Illustration**

Male



Female



Product may differ from Image

Form

Form 43231

Technical Data

Operating voltage 12...230 V AC/DC

Rated surge voltage 2.5 kV

Operating current per contact max. 4 A

Material group IEC 60664-1, category I

Coding M12, A-coded

| | |
|-------------------------------------------|-------------------------------------------------------------------------------------------|
| Locking of ports | Screw thread (M12×1 mm) recommended torque 0.6 Nm, self-securing, Snap-in connector (MDC) |
| Compression gland | M12 (SW14) |
| Protection | IP65, IP66K, IP67, IP68 inserted and tightened (EN 60529) |
| Material | PUR (M12); PA (MDC) |
| Locking material | Stainless steel 1.4305 (V2A/M12) |
| suitable for corrugated tube (internal Ø) | M12 (10 mm); MDC (11 mm) |
| Housing | Amphenol AT06-2S or Deutsch DT06-2S |
| Additional suppressor | without components |

General data

| | |
|-------------------|------------------------------------------|
| Material (gasket) | Silicon |
| Pollution Degree | 3 |
| Temperature range | -25...+85 °C, depending on cable quality |

Cables

| | |
|------------------------------------|--------------------------------------------------------------------------------------------------------------------------------------------------------|
| Cable identification | 754 |
| Cable Type | 3 (PUR) |
| Approval (cable) | cURus (AWM-Style 20549/10493); CE conform |
| Cable weight [g/m] | 40,7 g |
| Material (wire) | Cu wire, bare |
| Resistor (core) | max. 26 Ω/km (20 °C) |
| Single wire Ø (core) | 0.15 mm |
| Construction (core) | 42× 0.15 mm (multi-strand wire class 6) |
| Diameter (core) | 2× 0.75 mm ² |
| AWG | similar to AWG 18 |
| Material (wire isolation) | PP |
| Material property (wire isolation) | CFC-, halogen-, cadmium-, silicone- and lead-free |
| Shore hardness (wire isolation) | 70 ±5 D |
| Wire-Ø incl. isolation | 1.7 mm ±5% |
| Color/numbering of wires | br, bl |
| Stranding combination | 2 wires twisted |
| Shield | no |
| Material (jacket) | PUR |
| Material property (jacket) | CFC-, halogen-, cadmium-, silicone- and lead-free, matt, low-adhesion, machine easy to process, abrasion-resistant, hydrolysis and microbial resistant |
| Shore hardness (jacket) | 90 ±5 A |
| Outer-Ø (jacket) | 5.0 mm ±5% |
| Color (jacket) | black |
| chemical resistance | good resistance to oil, gasoline and chemicals (EN 60811-404) |
| thermal resistance | flame retardand UL 1581 Section 1090 (H), CSA FT2 / IEC 60332-2-2 |
| Nominal voltage | 300 V AC |
| Test voltage | 2500 V AC |
| Current load capacity | to DIN VDE 0298-4 |
| Temperature range (fixed) | -40...+80 °C, (+90 °C at max. 10 000 operating hours) |
| Temperature range (mobile) | -25...+80 °C, (+90 °C at max. 10 000 operating hours) |
| Bend radius (fixed) | 5× outer Ø |
| Bend radius (moving) | 10× outer Ø |
| No. of bending cycles (C-track) | max. 10 Mio. (25 °C) |
| Travel speed (C-track) | max. 3 m/s |
| Acceleration (C-track) | max. 10 m/s ² |
| Torsion stress | ±180°/m |
| No. of torsion cycles | max. 2 Mio. (25 °C) |
| Torsion speed | 35 cycles/min |

Commercial data

| | |
|-------------------|----|
| country of origin | DE |
|-------------------|----|

| | |
|-----------------------|---------------|
| customs tariff number | 85444290 |
| EAN | 4048879657785 |
| eClass | 27279218 |
| Packaging unit | 1.000 |