

PASSIVE-DI0° PLASTIC,6XM12.4POL,PRE-WIRED CABLE

5.0m PUR-JB 6*0,34+3*0,75

6-way, 4-pole

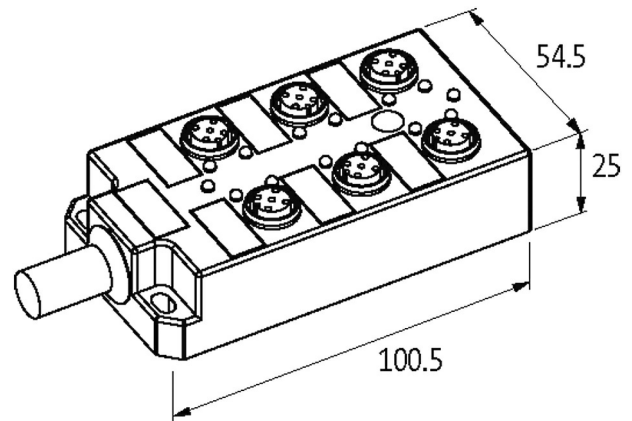
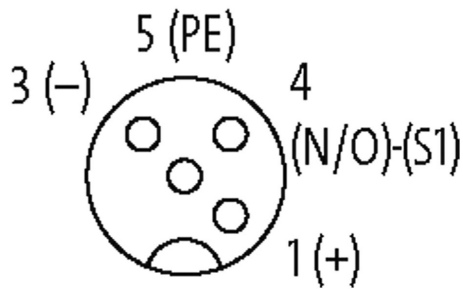
PUR/PVC

5.0 m

with LED for digital PNP-signals 24 V DC

Further cable lengths on request.

Plastic housings with good resistance against chemicals and oils.

[Link to Product](#)**Illustration****M12 Females 4-pole**

Product may differ from Image

Technical Data

| | |
|-------------------------------|-------------------------|
| Operating voltage | 24 V DC |
| Operating current per contact | max. 4 A |
| Locking of ports | Screw thread (M12×1 mm) |
| Signal per port | 1 - (31-32) |
| Total current | max. 10 A |

General data

| | |
|-------------------|--|
| Temperature range | -20...+80 °C |
| Protection | IP67 inserted and tightened (EN 60529) |
| Dimensions H×W×D | 100.5×54.5×25 mm |

| Cables | |
|---------------------------------|---|
| No./diameter of wires | 6× 0.34 + 3× 0.75 mm ² |
| Wire isolation | PVC (ye, wh, gn, gr, pk, rd+br, bl, gnye) |
| C-track properties | 2 Mio. |
| Outer Ø | 8.5 mm ±5% |
| Cable identification | 355 |
| Cable Type | PUR/PVC |
| Cable number | 355 |
| Approval (cable) | UL (AWM-Style 21441/10955), CE conform |
| Material (wire) | Cu wire, bare |
| Resistor (core) | max. 57 Ω/km (0.34 mm ²), max. 26 Ω/km (0.75 mm ²); (20 °C) |
| Construction (core) | 19× 0.15 mm (0.34 mm ²); 42× 0.15 mm (0.75 mm ²); (multi-strand wire class 5/6) |
| Diameter (core) | 6× 0.34 + 3× 0.75 mm ² |
| AWG | similar to AWG 22 (0.34 mm ²); similar to AWG 18 (0.75 mm ²) |
| Material (wire isolation) | PVC |
| Wire-Ø incl. isolation | 1.3 mm ±5% (0.34 mm ²); 1.8 mm ±5% (0.75 mm ²) |
| Material (jacket) | PUR/PVC |
| Outer-Ø (jacket) | 8.5 mm ±5% |
| Color (jacket) | gray |
| Jacket Color | gray |
| chemical resistance | good resistance to oil, gasoline and chemicals |
| Nominal voltage | 300/300 V AC |
| Test voltage | 2000 V AC |
| Temperature range (fixed) | -30...+80 °C |
| Temperature range (fixed) | -30...+80 °C |
| Temperature range (mobile) | -5...+70 °C |
| Temperature range (mobile) | -5...+70 °C |
| Bend radius (moving) | 12× outer Ø |
| Bend radius (moving) | 12× outer Ø |
| No. of bending cycles (C-track) | 1.5 Mio. |
| Travel speed (C-track) | max. 2 m/s |
| Acceleration (C-track) | max. 5 m/s ² |
| Material (jacket) | PUR/PVC |
| Contact Layout | |
| PIN 1 | (+) |
| PIN 3 | (-) |
| PIN 4 | (NO)/(S1) |
| PIN 5 | (Earth) |
| | LED (green): Power / LED (yellow): (S1) |
| Commercial data | |
| country of origin | CZ |
| customs tariff number | 85444290 |
| EAN | 4048879062848 |
| eClass | 27279219 |
| Packaging unit | 1.000 |