

MOSA VALVE PLUG 8MM FIELD-WIREABLE (IDC)

Form C (8 mm)

0...250 V AC/300 V DC

without components

Bridged PE

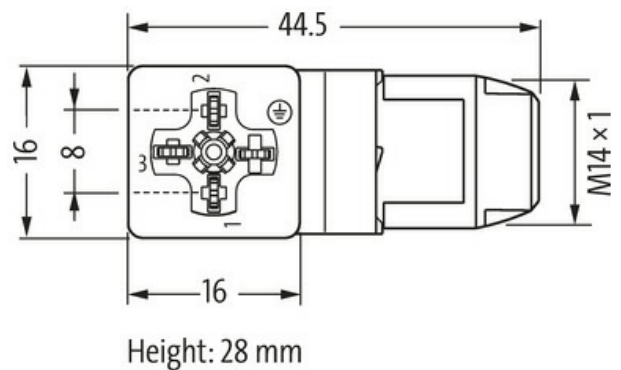
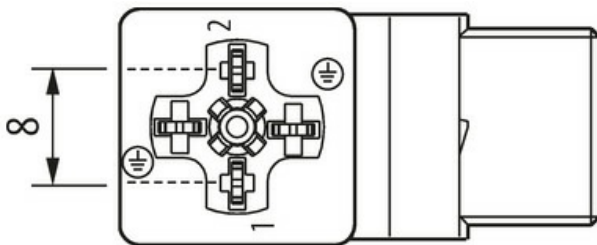
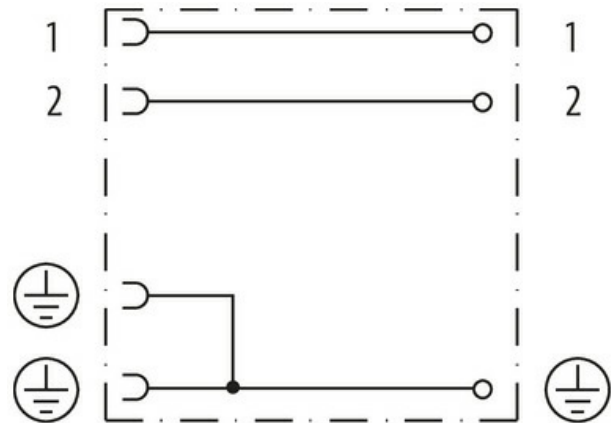
IDC terminals

Plastic housings with good resistance against chemicals and oils.

The resistance to aggressive media should be individually tested for your application. Further details on request.

[Link to Product](#)

Illustration



Product may differ from Image

Form

Form 80111

Technical Data

Operating voltage	0...250 V AC/300 V DC
Operating current per contact	max. 3 A
Connection cross section	0.25...0.5 mm ² (conductor diameter min. 0.1 mm)
Sealing range (cable Ø)	4...6 mm
Protection	IP67 inserted and tightened (EN 60529)
Outer wire Ø	1.2...1.6 mm

General data

Temperature range	-25...+85 °C
Mounting set	M14x1 mm

Dimensions H×W×D 28×16×44.5 mm

Commercial data

country of origin	CZ
customs tariff number	85366990
EAN	4048879132312
eClass	27279218
Packaging unit	1.000