

MASI20 I/O MODULE K3

4 digital inputs, 4 digital, passive safety outputs

Digital inputs/outputs

DI4 - 0.15 A DO4 - 2 A (AB) (K3)

Safe outputs (Safety)

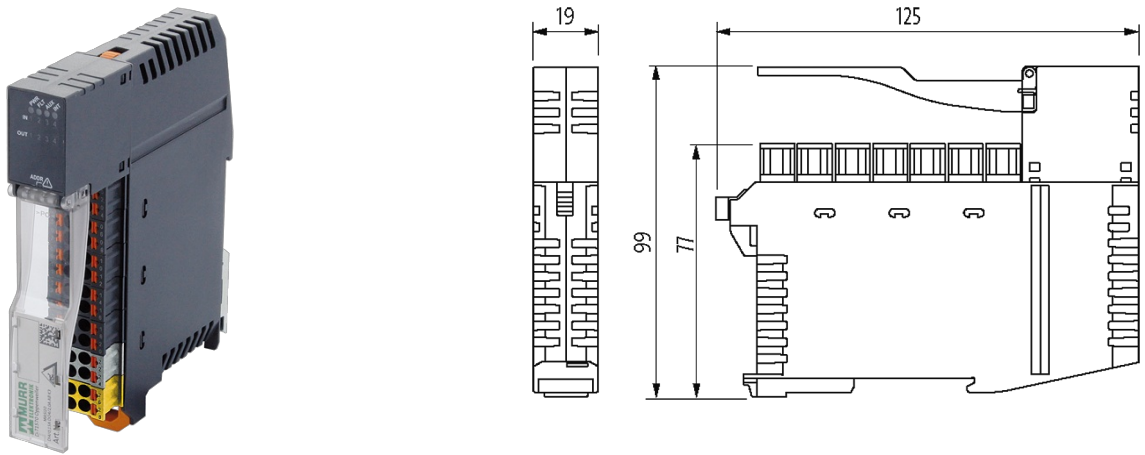
passive safety

Output groups up to PLd (EN ISO 13849-1) can be switched off via safety relays

AB-Slave

Protection IP20

Current manuals can be downloaded at: www.murrelektronik.com

[Link to Product](#)**Illustration**

Product may differ from Image

**Technical Data**

Bus voltage (AS-Interface)	26.5...31.6 V DC
Total current (AS-Interface)	max. 190 mA
Addressing	via built-in address port or master
Address range	1...62 (1...31 A or B) via address port
Profile (IO/ID/ID2 code)	S-7.A.7

General data

Protection	IP20
Connection	Push-In spring clamp terminals, 0.2...2.5 mm ² (0.25...1.5 mm ²)
Mounting method	DIN-rail mountable (EN 60715)
Temperature range	-25...+70 °C (storage temperature -25...+85 °C)
Dimensions H×W×D	125×19×99 mm

Output

Supply voltage	24 V DC (20...30 V DC) EN 61131-2 by additional supply, safely separated from input supply
Switching current per output	max. 2 A (max. 60 °C), short-circuit and overload protected
Total current	max. 4 A
Switch off time in case of short circuit	approx. 20 ms

Input

The information in this brochure has been compiled with the utmost care.

Liability for the correctness completeness and topicality of the information is restricted to gross negligence. Version: 03/22

Supply voltage	alternatively (switchable) from AS-Interface or from 24 V DC (EN 61131-2) by additional supply
Sensor supply US	max. 150 mA externally or from AS Interface (short-circuit and overload protected)
Type	for 3-wire sensors or mechanical switches, PNP
Input current	max. 5.6 mA

Diagnostic

Communication status	via LED
Diagnostic via LED	per module
Monitoring - no voltage	yes

Commercial data

country of origin	SG
customs tariff number	85176200
EAN	4048879705288
eClass	27242604
Packaging unit	1