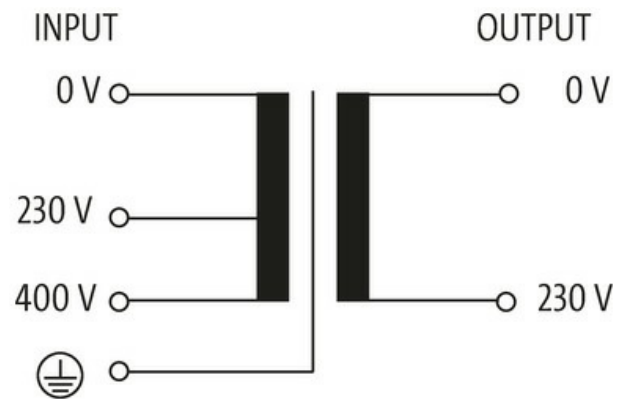


MST 1-PHASE CONTROL AND ISOLATION TRANSFORMER

P: 800VA IN: 230/400VAC OUT: 230VAC

Single-phase - Control and Isolation Transformers
 800 VA
 Isolation class T 40/B
 Other voltages on request.

[Link to Product](#)**Illustration**

Product may differ from Image

**General data**

| | |
|------------------------|---|
| Standards | EN 61558-1, EN 61558-2-4, EN 62041 category 0 |
| Mounting method | Key-hole mounting |
| Temperature range | -20...+40 °C (storage temperature -40...+80 °C) |
| Test isolation voltage | 4 kV (prim./sec.) |
| Drill hole Ø | 7×11 mm |
| Fixing centers a×b×c | 107.5×122×7 mm |

Dimensions H×W×D 129.4×150×144.6 mm

Output

Output voltage 230 V AC

Output rating 800 VA

Input

Input voltage 230/400 V AC

Inrush current 50 A (230 V AC); 29 A (400 V AC)

Short-circuit current 219 A (110 V AC)

Input current 3.5 A (230 V AC); 2 A (400 V AC)

Frequency 50...60 Hz

Commercial data

country of origin CZ

customs tariff number 85043180

EAN 4048879078634

eClass 27031302

Packaging unit 1.000