



Main

| | |
|---------------------------|--|
| Range of product | Lexium integrated drive |
| Product or component type | Motion integrated drive |
| Device short name | ILS |
| Motor type | 3-phase stepper motor |
| Number of motor poles | 6 |
| Network number of phases | Single phase |
| [Us] rated supply voltage | 24 V 48 V |
| Network type | DC |
| Communication interface | Integrated EtherCAT |
| Length | 200.6 mm |
| Winding type | Medium speed of rotation and medium torque |
| Electrical connection | Industrial connector |
| Holding brake | Without |
| Gear box type | Without |
| Nominal speed | 200 rpm at 48 V 100 rpm at 24 V |
| Nominal torque | 6 N.m |
| Holding torque | 6 N.m |

Complementary

| | |
|---------------------------------------|--|
| Transmission rate | 100 Mbits |
| Mounting support | Flange |
| Motor flange size | 85 mm |
| Number of motor stacks | 3 |
| Centring collar diameter | 60 mm |
| Centring collar depth | 2 mm |
| Number of mounting holes | 4 |
| Mounting holes diameter | 6.5 mm |
| Circle diameter of the mounting holes | 99 mm |
| Feedback type | Index pulse |
| Shaft end | Untapped |
| Second shaft | Without second shaft end |
| Shaft diameter | 14 mm |
| Shaft length | 30 mm |
| Supply voltage limits | 18...55 V |
| Current consumption | 5000 mA (maximum continuous) |
| Associated fuse rating | 16 A |
| Commissioning interface | RS485 Modbus TCP (9.6, 19.2 and 38.4 kbauds) |
| Input/Output type | 4 signals (each be used as input or output) |
| Voltage state 0 guaranteed | -3...4.5 V |
| Voltage state 1 guaranteed | 15...30 V |
| Discrete input current | 2 mA at 24 V for 24 V signal interface 10 mA at 24 V for safety input |
| Discrete output voltage | 23...25 V |

The information provided in this documentation contains general descriptions and/or technical characteristics of the products of the products contained herein. This documentation is not intended as a substitute for and is not to be used for determining suitability or reliability of these products for specific user applications. It is the duty of any such user or integrator to perform the appropriate and complete risk analysis, evaluation and testing of the products with respect to the relevant specific application or use thereof. Neither Schneider Electric Industries SAS nor any of its affiliates or subsidiaries shall be responsible or liable for misuse of the information contained herein.

| | |
|---------------------------|--|
| Maximum switching current | 200 mA total 100 mA per output |
| Protection type | Overload of output voltage Safe torque off Short circuit of the output voltage |
| Peak stall torque | 6 N.m |
| Continuous stall torque | 6 N.m |
| Speed feedback resolution | 20000 points/turn |
| Accuracy error | +/- 6 arc min |
| Rotor inertia | 3.3 kg.cm ² |
| Maximum mechanical speed | 2000 rpm |
| Maximum radial force Fr | 110 N |
| Maximum axial force Fa | 30 N (force pressure) 170 N (tensile force) |
| Service life in hours | 20000 h of bearing : |
| Marking | CE |
| Type of cooling | Natural convection |
| Product weight | 4.7 kg |

Environment

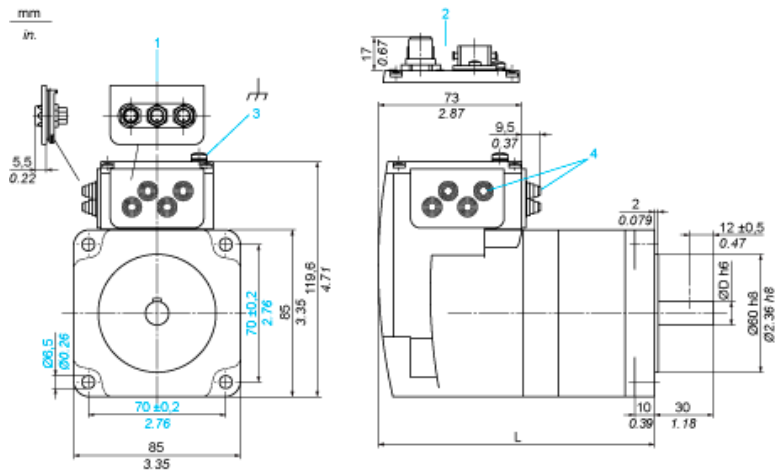
| | |
|---|---|
| Standards | EN 50347 EN 61800-3:2001, second environment EN 61800-3 : 2001-02 EN/IEC 50178 EN/IEC 61800-3 IEC 60072-1 IEC 61800-3, Ed 2 |
| Product certifications | CUL TÜV UL |
| Ambient air temperature for operation | 0...40 °C without derating > 40...55 °C with power derating of 2 % per °C |
| Permissible ambient air temperature around the device | 110 °C (motor) 105 °C (power amplifier) |
| Ambient air temperature for storage | -25...70 °C |
| Operating altitude | <= 1000 m without derating |
| Relative humidity | 15...85 % without condensation |
| Vibration resistance | 20 m/s ² (f = 10...500 Hz) for 10 cycles conforming to EN/IEC 60068-2-6 |
| Shock resistance | 150 m/s ² for 1000 shocks conforming to EN/IEC 60068-2-29 |
| IP degree of protection | IP54 total except shaft bushing conforming to EN/IEC 60034-5 IP41 shaft bushing conforming to EN/IEC 60034-5 |

Offer Sustainability

| | |
|-------------------------------|---|
| Sustainable offer status | Not Green Premium product |
| RoHS (date code: YYWW) | Compliant - since 0910 - Schneider Electric declaration of conformity |
| REACH | Reference not containing SVHC above the threshold |
| Product environmental profile | Available Download Product Environmental |

Integrated Drive without Holding Brake

Dimensions

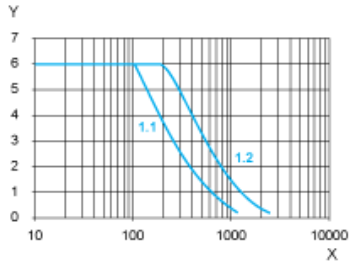


- 1 Accessories: I/O signal insert with industrial connectors
- 2 Option: industrial connectors
- 3 Earth (ground) terminal
- 4 Accessories: cable entries $\varnothing = 3 \dots 9 \text{ mm}/0.12 \dots 0.35 \text{ in.}$
- L 200.6 mm/7.90 in.
- D 14 mm/0.55 in.

Connection Example with 4 I/O Signals



Torque Characteristics



- X Speed of rotation in rpm
- Y Torque in Nm
- 1.1 Max. torque at 24 V
- 1.2 Max. torque at 48 V