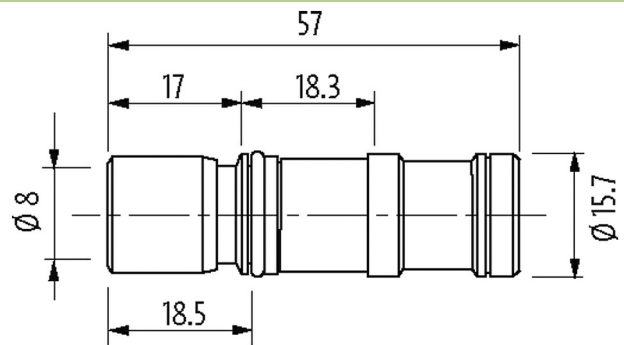


MODL. VARIO insert for fixed housing type B

8/6 shut-off, nickel plated brass

Insert - stationary housing
 Brass, nickel plated
 with shut-off
 AD8

Link to Product**Illustration**

Product may differ from Image

Form

Form MVT1820-062406061

Technical Data

Protection	IP65, IP66K, IP67, IP68, IP69K inserted and tightened (EN 60529)
Material	Brass, nickel plated
Barrier	with

General data

Temperature range	-20...+120 °C
Pressure range	0...16 bar
Hose outer Ø	8 mm
Gasket	FPM

Commercial data

country of origin	DE
customs tariff number	74198090
EAN	4048879573849
eClass	27260702
Packaging unit	1.000