

M12 fem. recept. X-cod. / RJ45 male 0° shielded

PUR 4x2xAWG26 shielded gn UL/CSA 1.5m

Ethernet CAT6A

The resistance to aggressive media should be individually tested for your application. Further details on request.

Flange female straight – male straight

RJ45 – M12, 8-pole

X-coded

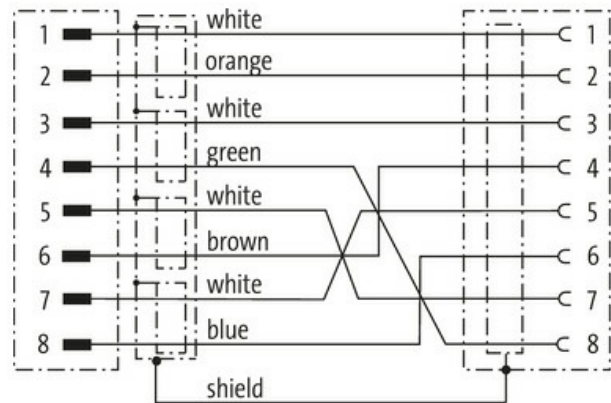
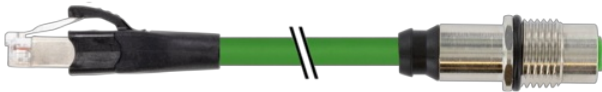
shielded

Rear mounting

Transmission properties with channel transmission up to 50 m

Further cable lengths on request.

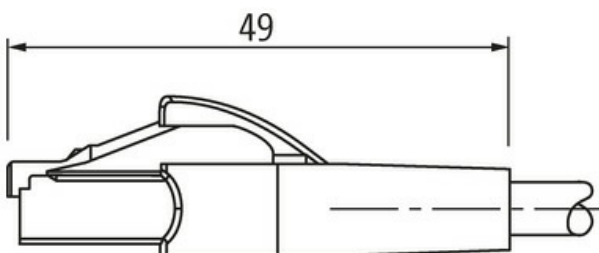
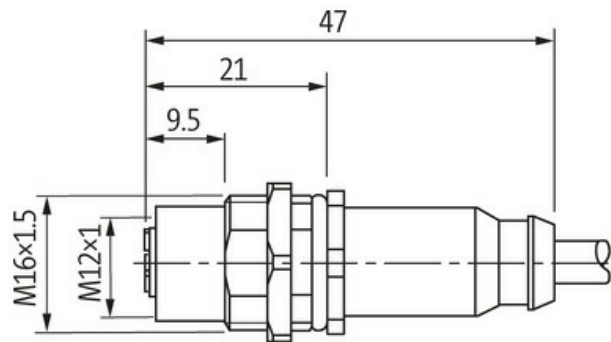
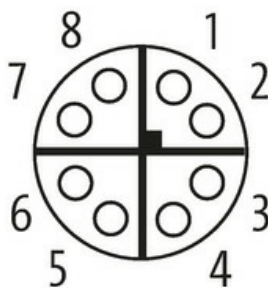
Plastic housings with good resistance against chemicals and oils.

[Link to Product](#)**Illustration**

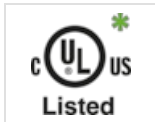
Male



Female



Product may differ from Image



* only for products with UL/CSA approved cable

| Form | |
|---|---|
| Form | 51551 |
| Technical Data | |
| Operating voltage | max. 60 V DC |
| Operating voltage (only UL listed) | 30 V DC |
| Rated surge voltage | 0.8 kV |
| Operating current per contact | max. 0.5 A |
| No. of poles | 8 |
| Transfer parameters | CAT6, Class EA (ISO/IEC 11801:2002), (EN 50173-1) |
| Transfer rate | 10 Gbit/s |
| Material group | IEC 60664-1, category I |
| Coding | M12, X-coded |
| LED display | no |
| Locking of ports | Screw thread (M12×1 mm) recommended torque 0.6 Nm, self-securing |
| Compression gland | M12 (SW14) |
| Protection | IP67 (M12) - IP20 (RJ45) |
| Protection NEMA | 3, 4, 6P (UL 50E) (M12) |
| Material | PUR |
| Locking material | Brass, nickel plated |
| suitable for corrugated tube (internal Ø) | without |
| General data | |
| Standards | DIN EN 61076-2-109 (M12) |
| Mounting method | inserted, tightened |
| Pollution Degree | 3 |
| Temperature range | -25...+85 °C, depending on cable quality |
| Cables | |
| Cable identification | 790 |
| Approval (cable) | cURus (AWM-Style 20549/11635); CE conform |
| Cable weight [g/m] | 52,8 g |
| Material (wire) | Cu wire, bare |
| Resistor (core) | max. 143 Ω/km (20 °C) |
| Single wire Ø (core) | 0.16 mm |
| Diameter (core) | 4 × 2 × AWG26/7 |
| Material (wire isolation) | PE |
| Wire-Ø incl. isolation | 1.05 mm ±5% |
| Color/numbering of wires | (WH, OR), (WH, BU), (WH, BN), (WH, GN) |
| Shield | yes |
| optical shield cover | approx. 65% |
| Material (jacket) | PUR |
| Outer-Ø (jacket) | 6.4 mm ±5% |
| Color (jacket) | green |
| chemical resistance | Oil resistance according to IEC 60811-2-1, ASTM IRM 901, ICEA S-82-552 Std. |
| Nominal voltage | 125 V AC |
| Test voltage | 1500 V (wire/wire); 1000 V (wire/shield) |
| Temperature range (fixed) | -40...+80 °C |
| Temperature range (mobile) | -30...+70 °C |
| Bend radius (fixed) | 8 × outer Ø |
| Bend radius (moving) | 10 × outer Ø |

The information in this brochure has been compiled with the utmost care.

Liability for the correctness completeness and topicality of the information is restricted to gross negligence. Version: 03/22

Murrelektronik Ltd. | 5 Albion Street, Pendlebury Industrial Estate, Swinton | Manchester M27 4FG | Fon +44 161 728 3133 | Fax +44 161 728 3130 | shop@murrelektronik.co.uk | shop.murrelektronik.co.uk

Commercial data

| | |
|-----------------------|---------------|
| country of origin | DE |
| customs tariff number | 85444290 |
| EAN | 4048879648493 |
| eClass | 27279220 |
| Packaging unit | 1.000 |