

M12 FEMALE 90° FIELD-WIREABLE SCREW TERM.8-pol. max.0.5mm² 6-8mm

Female 90°

M12, 8-pole

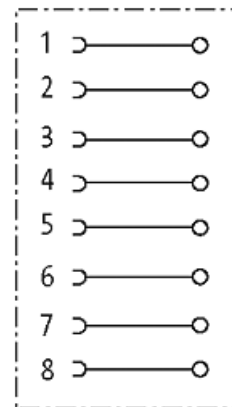
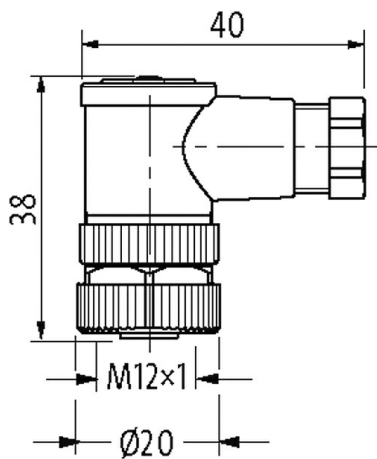
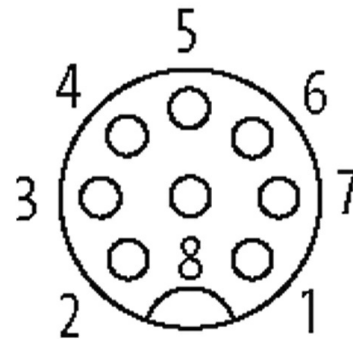
Sealing range (cable Ø): 6...8 mm

Plastic housings with good resistance against chemicals and oils.

The resistance to aggressive media should be individually tested for your application. Further details on request.

[Link to Product](#)**Illustration**

Female



Product may differ from Image

**Form**

Form 17331

Technical Data

Operating voltage	max. 30 V AC/DC
Operating current per contact	max. 2 A
Connection cross section	max. 0.5 mm ²

Sealing range (cable Ø)	6...8 mm
Locking of ports	Screw thread (M12×1 mm) recommended torque 0.6 Nm, self-securing
Protection	IP67 inserted and tightened (EN 60529)

General data

Temperature range	-40...+85 °C
-------------------	--------------

Commercial data

country of origin	DE
customs tariff number	85366990
EAN	4048879195324
eClass	27279221
Packaging unit	1