

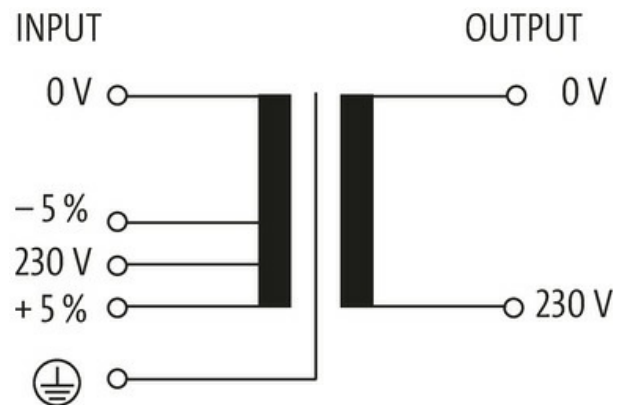
MET 1-PHASE CONTROL AND ISOLATION TRANSFORMER

P: 1500VA IN: 230VAC+/- 5% OUT: 230VAC

Single-phase - Control and Isolation Transformers
1500 VA
Spring clamp terminals
Isolation class T 60/B

[Link to Product](#)

Illustration



Product may differ from Image



General data

Standards	EN 61558-1, EN 61558-2-4, EN 62041 category 0
Mounting method	Key-hole mounting
Temperature range	-20...+60 °C (storage temperature -40...+80 °C)
Test isolation voltage	4 kV (prim./sec.)
Drill hole Ø	7×11 mm
Fixing centers a×b×c	141.5×135×7 mm

Dimensions H×W×D 168×174×162 mm

Output

Output voltage 230 V AC

Output rating 1500 VA

Input

Input voltage 230 V AC ±5%

Inrush current 85.07 A (230 V AC)

Short-circuit current 358.1 A (230 V AC)

Input current 6.9 A (230 V AC)

Frequency 50...60 Hz

Commercial data

country of origin CZ

customs tariff number 85043200

EAN 4048879066341

eClass 27031302

Packaging unit 1.000