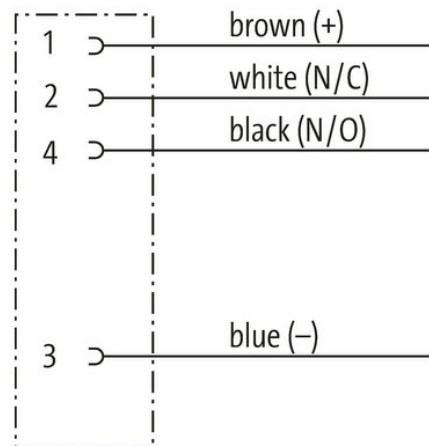


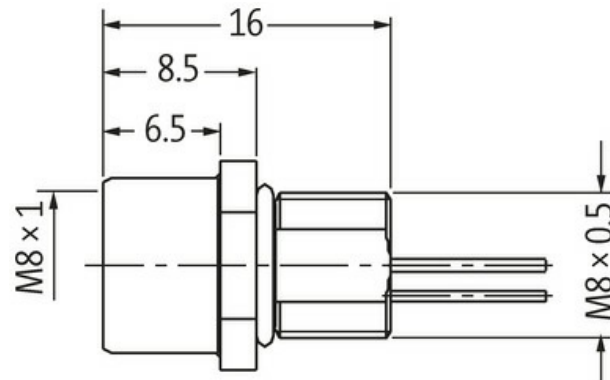
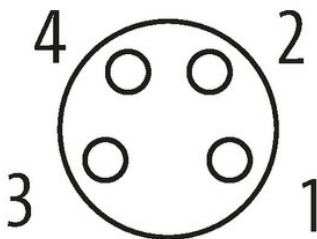
**M8 female recept. A-cod. front**

PP-wires 4x0.25 0.2m

Flange female  
M8, 4-pole  
Front mounting  
with multi-strand wire

[Link to Product](#)**Illustration**

Female



Product may differ from Image

**Form**

Form 08581

**Technical Data**

Operating voltage	max. 50 V AC/60 V DC
Rated surge voltage	1.5 kV
Operating current per contact	max. 4 A

Locking of ports	Screw thread (M8×1 mm) recommended torque 0.4 Nm, self-securing
------------------	---

Protection	IP67 inserted and tightened (EN 60529)
------------	--

Protection NEMA	3, 4, 6P (UL 50E)
-----------------	-------------------

**General data**

Temperature range	-25...+85 °C
-------------------	--------------

**Cables**

No./diameter of wires	4× 0.25 mm <sup>2</sup>
-----------------------	-------------------------

Wire isolation	PP (br, bk, bl, wh)
----------------	---------------------

Outer Ø	1.1 mm ±5%
---------	------------

Cable number	969
--------------	-----

Temperature range (fixed)	-40...+90 °C
---------------------------	--------------

Temperature range (mobile)	-25...+90 °C
----------------------------	--------------

Bend radius (fixed)	5× outer Ø
---------------------	------------

**Commercial data**

country of origin	DE
-------------------	----

customs tariff number	85444290
-----------------------	----------

EAN	4048879407663
-----	---------------

eClass	27279220
--------	----------

Packaging unit	1.000
----------------	-------