

UNIVERSAL CONTACTOR SUPPRESSOR

Varistor, 24VAC/DC

24 V AC/DC

VDR

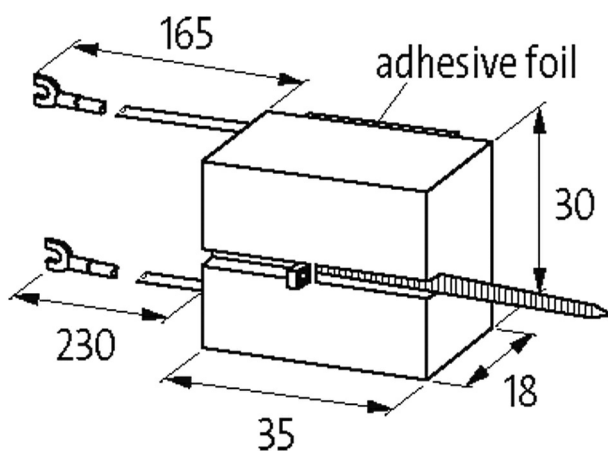
For other configurations and voltages, please inquire.

[Link to Product](#)

Illustration



VDR



Product may differ from Image



Technical Data

| | |
|------------------|---|
| Input voltage | 12...30 V AC/DC |
| Material | Flame retardant plastic acc. to (UL 94) |
| Damping factor | approx. 1.5× UN |
| Connection wires | self-securing cable forks |
| max. power (W) | 200 W (VA) |

General data

| | |
|-------------------|--------------|
| Temperature range | -20...+70 °C |
|-------------------|--------------|

The information in this brochure has been compiled with the utmost care.
Liability for the correctness completeness and topicality of the information is restricted to gross negligence. Version: 03/22

Dimensions H×W×D 35×30×18 mm

Appropriate contactors

universal

Commercial data

| | |
|-----------------------|---------------|
| country of origin | CZ |
| customs tariff number | 85363010 |
| EAN | 4048879017213 |
| eClass | 27371013 |
| Packaging unit | 1.000 |