

SUPPRESSOR FOR CONTACTORS

Diode, 24...240 VDC, 15 W

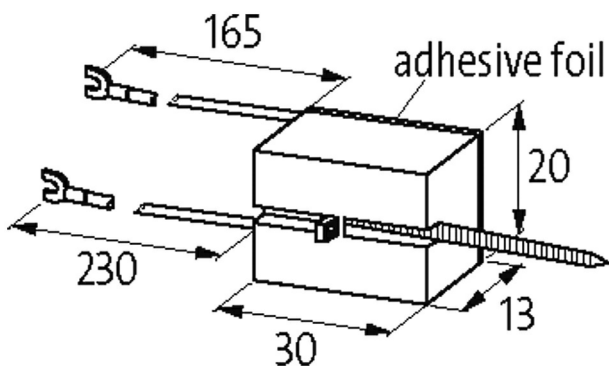
24...240 V DC

Diode

For other configurations and voltages, please inquire.

[Link to Product](#)**Illustration**

Diode



Product may differ from Image

**Technical Data**

Input voltage	24...240 V AC
Material	Flame retardant plastic acc. to (UL 94)
Damping factor	approx. 1.5× UN
Connection wires	self-securing cable forks
max. power (W)	15 W

General data

Temperature range	-20...+70 °C
Dimensions H×W×D	30×20×13 mm

Appropriate contactors

The information in this brochure has been compiled with the utmost care.
Liability for the correctness completeness and topicality of the information is restricted to gross negligence. Version: 03/22

universal

Commercial data	
country of origin	CZ
customs tariff number	85363010
EAN	4048879018753
eClass	27371013
Packaging unit	1.000