

Mico Pro PS 5-100-240/24

INPUT: 90...265 V AC

Cover plate

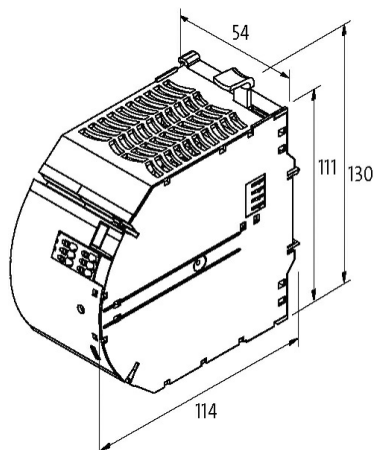
OUTPUT: 24...28 V DC

rugged design

Current: 5 A

Quantity: 2 pcs.

Build your own Mico Pro® online:

<https://micopro.murrelektronik.com>**Link to Product****Illustration**

Product may differ from Image

**General data**

Standards	IEC 61010-2-201, EN 61204-3, EN 61000-3-2
Mounting method	DIN-rail mountable TH35 (EN 60715)
Temperature range	-25...+55 °C (storage temperature -40...+85 °C)
Relative humidity	5...95%, no condensation

The information in this brochure has been compiled with the utmost care.

Liability for the correctness completeness and topicality of the information is restricted to gross negligence. Version: 03/22

Murrelektronik Ltd. | 5 Albion Street, Pendlebury Industrial Estate, Swinton | Manchester M27 4FG | Fon +44 161 728 3133 | Fax +44 161 728 3130 | shop@murrelektronik.co.uk | shop.murrelektronik.co.uk

Protection	IP20
Efficiency	89.4% (115 V AC); 90.8% (230 V AC)
Connection	Push-In spring clamp terminals
Dimensions H×W×D	130×54×114 mm

Output

Output voltage	24 V DC (SELV), ±1%; 24...28 V adjustable
Output current	5 A
Mains failure bridging time	min. 20 ms (115 V AC); min. 65 ms (230 V AC)
Ripple	max. 15 mV eff/rms
Spikes	max. 230 mV ss/pp
Unit protection	Short-circuit, overload and temperature
LED display (Power)	LED (green): OK; LED (red): overload, overheating or short-circuit
LED display (Mico Pro)	LED (red): Failure
Parallel usage/serial usage	no/no

Input

Input voltage	90...265 V AC
Input current	1.1 A (115 V AC); 2.3 A (230 V AC)
Inrush current after 1 ms	max. 30 A
Power factor	0.56 (115 V AC); 0.50 (230 V AC)
Frequency	50...60 Hz
Input fuse (internal)	3.15 A (T)

Control inputs

Input voltage (ON)	9...30 V DC
Impulse length (CTRL)	OFF "high" 40/400 ms, ON "high" 20/200 ms
Input voltage (CTRL)	9...30 V DC
Impulse length (ON)	"high" 120 ms

Control outputs

Early warning (90%)	max. 30 V AC/DC
Group alarm output	max. 30 V AC/DC

Commercial data

country of origin	CZ
customs tariff number	85044082
EAN	4048879695664
eClass	27141901
Packaging unit	1.000