

**PRE-WIRED CAP FOR EXACT8, 4XM8, 3 POLE**

3.0m PUR/PVC 4X0.34+2x0,75

for 4-way distribution box, 3-pole

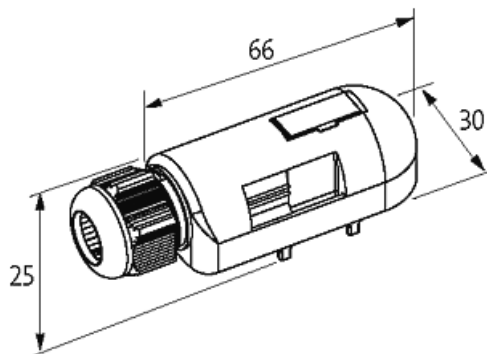
Further cable lengths on request.

Plastic housings with good resistance against chemicals and oils.

The resistance to aggressive media should be individually tested for your application. Further details on request.

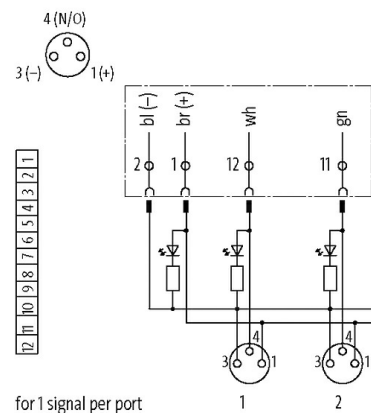
PUR/PVC

3.0 m

**[Link to Product](#)****Illustration**

Product may differ from Image

M8-Females 3-pole

**Technical Data**

Total current	max. 8 A
Housing	Plastic, flame retardant

**General data**

Temperature range	-20...+80 °C, depending on cable quality
-------------------	--

**Cables**

Cable number	337
--------------	-----

No./diameter of wires	4× 0.34 + 2× 0.75 mm <sup>2</sup>
Wire isolation	PVC (br, bl, ye, wh, gn, gr)
C-track properties	2 Mio.
Jacket Color	gray
Material (jacket)	PUR/PVC
Outer Ø	6.9 mm ±5%
Bend radius (fixed)	5× outer Ø
Bend radius (moving)	10× outer Ø
Temperature range (fixed)	-30...+80 °C
Temperature range (mobile)	-5...+60 °C
Color (jacket)	gray

**Commercial data**

country of origin	CZ
customs tariff number	85444290
EAN	4048879056359
eClass	27143423
Packaging unit	1