

M12 male 0° K-coded field-wireable5-pol. max. 2,5mm²

Power

Male straight

M12

5-pole

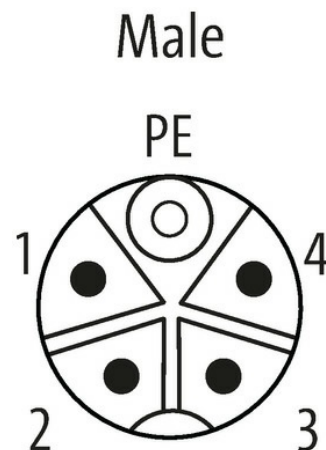
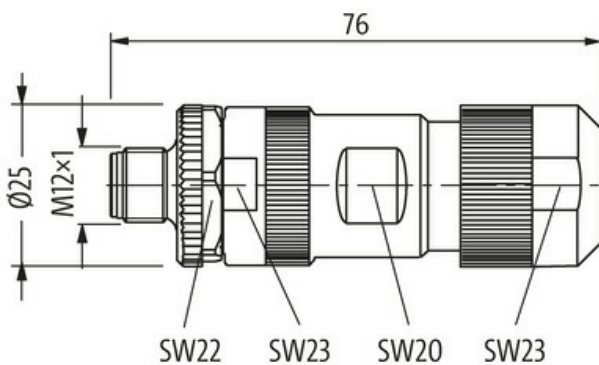
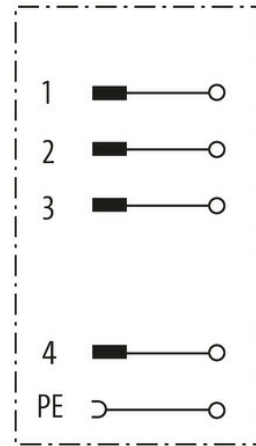
K-coded

Screw terminals

Sealing range (cable Ø)

8...13 mm

The resistance to aggressive media should be individually tested for your application. Further details on request.

[Link to Product](#)**Illustration**

Product may differ from Image

Technical Data

Rated surge voltage	6.0 kV
Operating current per contact	max. 12 A
No. of poles	5
Material group	IEC 60664-1, category II
Coding	K-coded
Locking of ports	Screw thread (M12x1 mm)

The information in this brochure has been compiled with the utmost care.

Liability for the correctness completeness and topicality of the information is restricted to gross negligence. Version: 03/22

Murrelektronik Ltd. | 5 Albion Street, Pendlebury Industrial Estate, Swinton | Manchester M27 4FG | Fon +44 161 728 3133 | Fax +44 161 728 3130 | shop@murrelektronik.co.uk | shop.murrelektronik.co.uk

Connection	Screw terminal
Connection cross section	max. 2.5 mm ²
Sealing range (cable Ø)	8...13 mm
Protection	IP67 inserted and tightened (EN 60529)
Material	PA
Contact resistance	≤ 5 mΩ
Over voltage category	2

General data

Material (contact)	Copper alloy
Material (contact surface)	Au
Pollution Degree	3
Temperature range	-40...+85 °C
Material (contact carrier)	PA

Commercial data

country of origin	DE
customs tariff number	85366990
EAN	4048879784849
eClass	27279221
Packaging unit	1.000