

MIRO BT

IP65 Bluetooth Master/Slave PROFINET

PROFINET

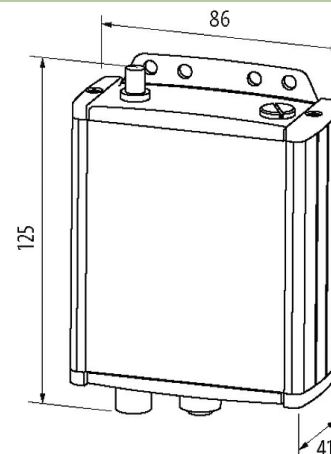
Bluetooth Master/Slave

100 Mbit/s

Connection cables are in the online shop under "Connection Technology".

Link to Product

Illustration



Product may differ from Image



Technical Data

Operating voltage	24 V DC (EN 61131-2)
Operating current	max. 150 mA

General data

Standards	approved in: BE, DK, DE, EE, FI, FR (restricted), GB, IE, IS, IT, CA, LV, LT, LU, MT, NL, NO (without Spitzbergen), AT, PL, PT, SE, CH, SK, SI, EL, ES, CZ, HU, US, CY
Housing	Metal black
Protection	IP65
Mounting method	screw fixing, M4
Dimensions HxWxD	125x86x41 mm
Temperature range	-20...+60 °C (storage temperature -40...+75 °C)

Connections

Fieldbus	Ethernet 10/100 Mbit/s; M12, D-coded
Supply	M12, 5-pole, A-coded

Wireless technology

Frequency	2.4 GHz Bluetooth
Transmission power	100 mW
No. of wireless slaves/devices	max. 4/max. 6
Coverage indoor	100 m
Coverage outdoor	300 m
Antenna connection	SMA (50 Ω)

Commercial data

The information in this brochure has been compiled with the utmost care.

Liability for the correctness completeness and topicality of the information is restricted to gross negligence. Version: 03/22

country of origin	DE
customs tariff number	85176200
EAN	4048879582414
eClass	19170101
Packaging unit	1
