

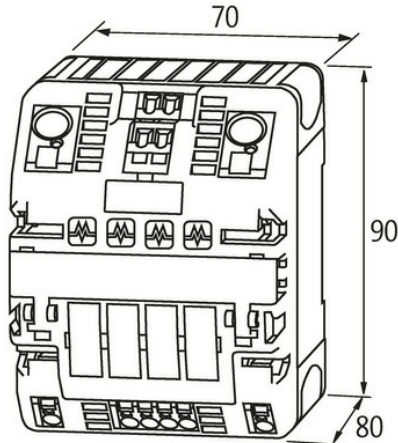
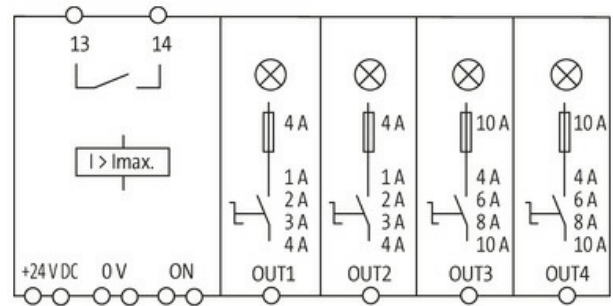
MICO electronic circuit protection, 4 CHANNELS

IN: 24 V DC OUT: 24 V DC / 2x 1-2-3-4 A & 2x 4-6-8-10 A

MICO 4.4.10 ACTUATOR-SENSOR

4 channels

Current adjustment 2x 1 A, 2 A, 3 A, 4 A; 2x 4 A, 6 A, 8 A, 10 A

[Link to Product](#)**Illustration**

Product may differ from Image

**General data**

Mounting method	DIN-rail mountable TH35 (EN 60715)
Temperature range	0...+55 °C (storage temperature -40...+80 °C)
Connection	Spring clamp terminals
Dimensions HxWxD	90x70x80 mm
Bridging concept	two sides, with spring clamp terminals or bridge set (max. 40 A)
Output terminals	per output 1x 4 mm ²
Input terminals	2x 16 mm ²

The information in this brochure has been compiled with the utmost care. Liability for the correctness completeness and topicality of the information is restricted to gross negligence. Version: 03/22

Alarm terminals	2.5 mm ²
-----------------	---------------------

Output

Inrush capacity	max. 20 mF (per channel)
-----------------	--------------------------

Current adjustment	1 A, 2 A, 3 A, 4 A; 4 A, 6 A, 8 A, 10 A, by countersunked rotary switch, sealed
--------------------	---

Input

Operating voltage	24 V DC (18...30 V DC)
-------------------	------------------------

Control inputs

Input voltage (ON)	10...30 V DC
--------------------	--------------

Impulse length (ON)	min. 20 ms
---------------------	------------

Control outputs

Group alarm output	potential free 30 V AC/DC, 100 mA
--------------------	-----------------------------------

Commercial data

country of origin	CZ
-------------------	----

customs tariff number	85363010
-----------------------	----------

EAN	4048879294515
-----	---------------

eClass	27371802
--------	----------

Packaging unit	1.000
----------------	-------