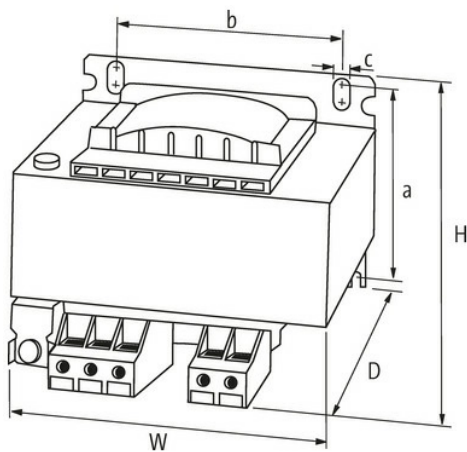
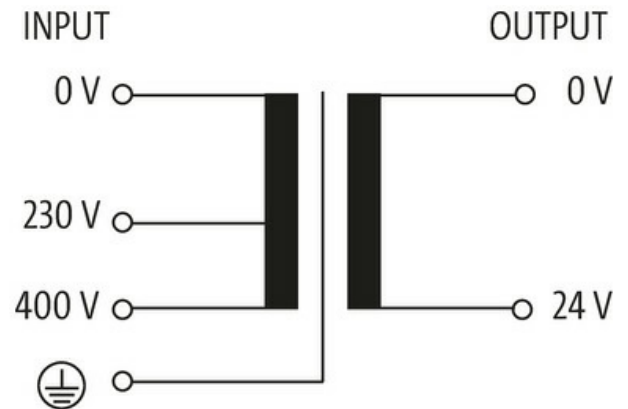


MTS 1-PHASE SAFETY TRANSFORMER

P: 100VA IN: 230/400VAC OUT: 24VAC

Single-phase safety transformer
 100 VA
 Spring clamp terminals
 Isolation class T 40/B
 Other voltages on request.

[Link to Product](#)**Illustration**

Product may differ from Image

**General data**

Standards	EN 61558-1, EN 61558-2-6, EN 62041 category 0
Mounting method	Long-hole mounting or DIN-rail mountable TH35 (EN 60715)
Temperature range	-20...+40 °C (storage temperature -40...+80 °C)
Test isolation voltage	4 kV (prim./sec.)
Drill hole Ø	4.8x8.4 mm

Fixing centers a×b×c	64.5×64×4.8 mm
----------------------	----------------

Dimensions H×W×D	86×84×98 mm
------------------	-------------

Output

Output voltage	24 V AC (SELV)
----------------	----------------

Output rating	100 VA
---------------	--------

Input

Input voltage	230/400 V AC
---------------	--------------

Inrush current	3.5 A (230 V AC); 2 A (400 V AC)
----------------	----------------------------------

Short-circuit current	5 A (230 V AC); 2.98 A (400 V AC)
-----------------------	-----------------------------------

Input current	0.54 A (230 V AC); 0.31 A (400 V AC)
---------------	--------------------------------------

Frequency	50...60 Hz
-----------	------------

Commercial data

country of origin	CZ
-------------------	----

customs tariff number	85043180
-----------------------	----------

EAN	4048879066105
-----	---------------

eClass	27031302
--------	----------

Packaging unit	1.000
----------------	-------