

MST SINGLE-PHASE CONTROL AND ISOLATION TRANSFORMER

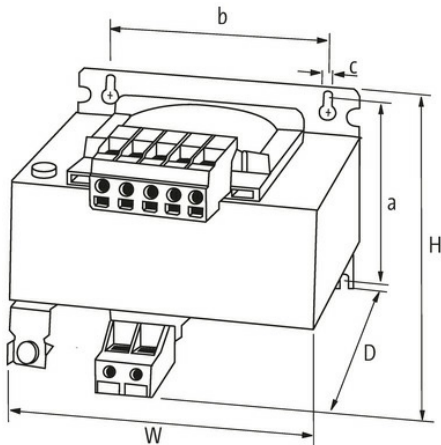
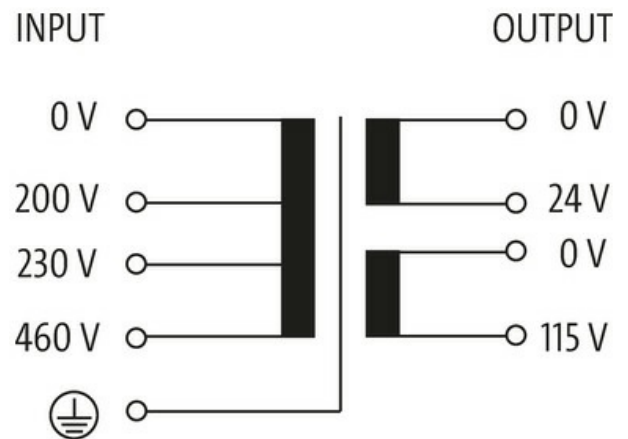
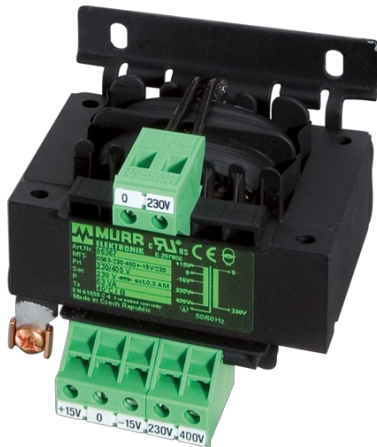
P:250VA IN:200/230/460VAC OUT:24/115VAC

Single-phase - Control and Isolation Transformers

20 VA (24 V AC)

300 VA (115 V AC)

Other voltages on request.

[Link to Product](#)**Illustration**

Product may differ from Image

General data

Standards	EN 61558-2-4, EN 62041 category 0
Mounting method	Key-hole mounting
Temperature range	-20...+40 °C (storage temperature -40...+80 °C)
Test isolation voltage	4.8 kV
Fixing centers a×b×c	75.3×84×5.8 mm
Dimensions H×W×D	105×96×91 mm

Output

Output voltage	24/115 V AC
Output rating	250 VA

Input

The information in this brochure has been compiled with the utmost care.
Liability for the correctness completeness and topicality of the information is restricted to gross negligence. Version: 03/22

Input voltage	200, 230, 460 V AC
Inrush current	18.5 A (230 V AC); 8.03 A (460 V AC)
Short-circuit current	30.1 A (230 V AC); 13.1 A (460 V AC)
Input current	1.23 A (230 V AC); 0.61 A (460 V AC)
Frequency	50...60 Hz

Commercial data

country of origin	CZ
customs tariff number	85043180
EAN	4048879073813
eClass	27031202
Packaging unit	1.000