

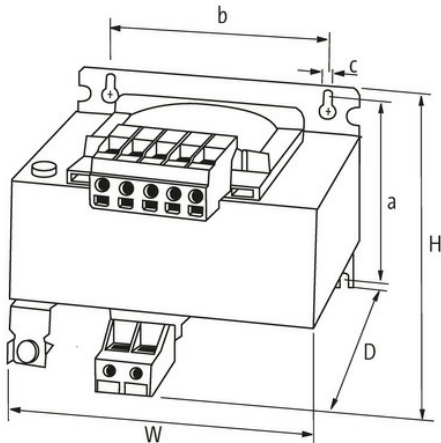
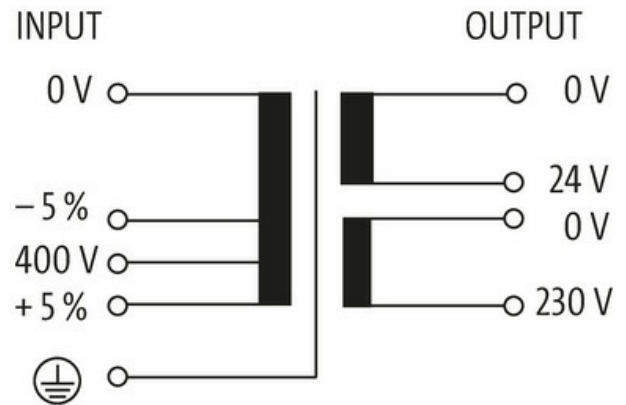
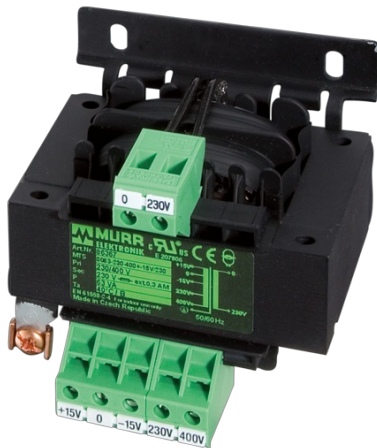
MTS SINGLE-PHASE CONTROL AND ISOLATION TRANSFORMER

P:150VA IN:400VAC±5% OUT:24VAC/230VAC

Single-phase - Control and Isolation Transformers
150 VA
Isolation class T 40/B

[Link to Product](#)

Illustration



Product may differ from Image



General data

Standards	EN 61558-2-4, EN 61558-2-6, EN 62041 category 0
Mounting method	screw fixing
Temperature range	-20...+40 °C (storage temperature -40...+80 °C)
Test isolation voltage	5.8 kV (prim./sec.)
Drill hole Ø	4.8x8.4 mm
Fixing centers a×b×c	64.5×64×4.8 mm
Dimensions H×W×D	88×84×98 mm

The information in this brochure has been compiled with the utmost care.
Liability for the correctness completeness and topicality of the information is restricted to gross negligence. Version: 03/22

Output	
Output voltage	24/230 V AC
Output rating	150 VA
Input	
Input voltage	400 V AC \pm 5%
Inrush current	4.5 A (400 V AC)
Short-circuit current	6 A (400 V AC)
Input current	0.45 A (400 V AC)
Frequency	50...60 Hz
Commercial data	
country of origin	CZ
customs tariff number	85043180
EAN	4048879307154
eClass	27031202
Packaging unit	1.000