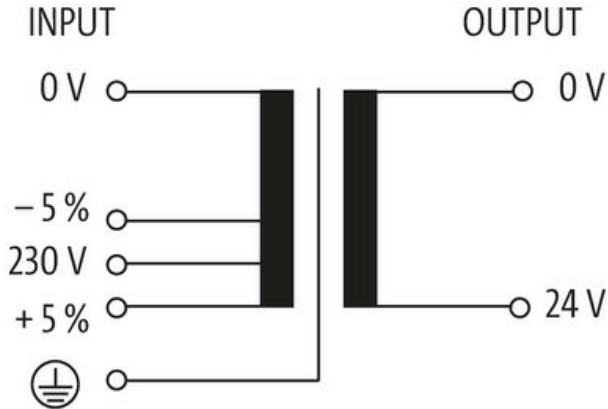
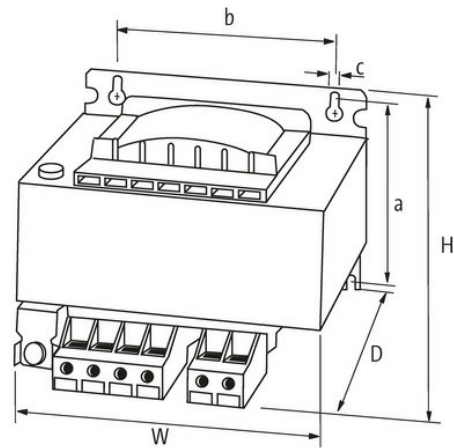


MET 1-PHASE SAFETY TRANSFORMER

P: 630VA IN: 230VAC+/- 5% OUT: 24VAC

Single-phase safety transformer
630 VA
Isolation class T 60/B

[Link to Product](#)**Illustration**

Product may differ from Image

**General data**

| | |
|------------------------|---|
| Standards | EN 61558-1, EN 61558-2-6, EN 62041 category 0 |
| Mounting method | Key-hole mounting |
| Temperature range | -20...+60 °C (storage temperature -40...+80 °C) |
| Test isolation voltage | 4 kV (prim./sec.) |
| Drill hole Ø | 7×11 mm |
| Fixing centers a×b×c | 107.5×122×7 mm |
| Dimensions H×W×D | 129×150×148 mm |

Output

The information in this brochure has been compiled with the utmost care.
Liability for the correctness completeness and topicality of the information is restricted to gross negligence. Version: 03/22

| | |
|----------------|----------------|
| Output voltage | 24 V AC (SELV) |
|----------------|----------------|

| | |
|---------------|--------|
| Output rating | 630 VA |
|---------------|--------|

Input

| | |
|---------------|--------------------|
| Input voltage | 230 V AC $\pm 5\%$ |
|---------------|--------------------|

| | |
|----------------|-------------------|
| Inrush current | 75.6 A (230 V AC) |
|----------------|-------------------|

| | |
|-----------------------|-------------------|
| Short-circuit current | 82.3 A (230 V AC) |
|-----------------------|-------------------|

| | |
|---------------|-------------------|
| Input current | 2.98 A (230 V AC) |
|---------------|-------------------|

| | |
|-----------|------------|
| Frequency | 50...60 Hz |
|-----------|------------|

Commercial data

| | |
|-------------------|----|
| country of origin | CZ |
|-------------------|----|

| | |
|-----------------------|----------|
| customs tariff number | 85043180 |
|-----------------------|----------|

| | |
|-----|---------------|
| EAN | 4048879078986 |
|-----|---------------|

| | |
|--------|----------|
| eClass | 27031302 |
|--------|----------|

| | |
|----------------|-------|
| Packaging unit | 1.000 |
|----------------|-------|