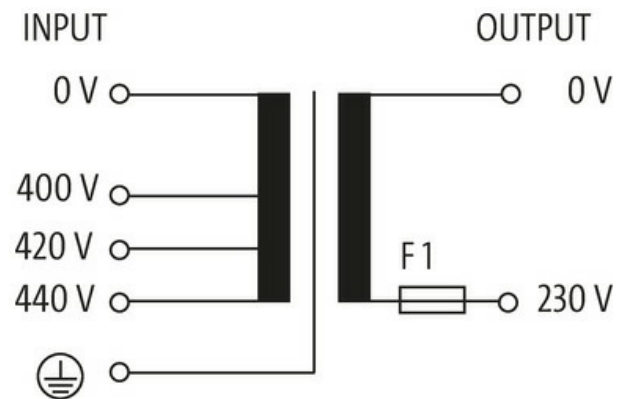


MST SINGLE-PHASE CONTROL AND ISOLATION TRANSFORMER

P:1000VA IN:400/420/440VAC OUT:230VAC

Single-phase - Control and Isolation Transformers
 1000 VA
 with fuse
 Other voltages on request.

[Link to Product](#)**Illustration**

Product may differ from Image

General data

| | |
|------------------------|---|
| Standards | EN 61558-2-4, EN 62041 category 0 |
| Mounting method | Key-hole mounting |
| Temperature range | -20...+40 °C (storage temperature -40...+80 °C) |
| Test isolation voltage | 5.7 kV |
| Fixing centers a×b×c | 134×122×7 mm |
| Dimensions H×W×D | 156×150×150 mm |

Output

| | |
|----------------|----------|
| Output voltage | 230 V AC |
| Output rating | 1000 VA |

Input

The information in this brochure has been compiled with the utmost care.
 Liability for the correctness completeness and topicality of the information is restricted to gross negligence. Version: 03/22

| | |
|-----------------------|--------------------|
| Input voltage | 400, 420, 440 V AC |
| Inrush current | 31 A (400 V AC) |
| Short-circuit current | 78 A (400 V AC) |
| Input current | 2.8 A (400 V AC) |
| Frequency | 50...60 Hz |

Commercial data

| | |
|-----------------------|---------------|
| country of origin | CZ |
| customs tariff number | 85043180 |
| EAN | 4048879294492 |
| eClass | 27031202 |
| Packaging unit | 1.000 |