

PRE-WIRED CAP FOR EXACT8, 6XM8, 3 POLE

3.0m PUR/PVC 6x0,34+2x0,75

for 6-way distribution box, 3-pole

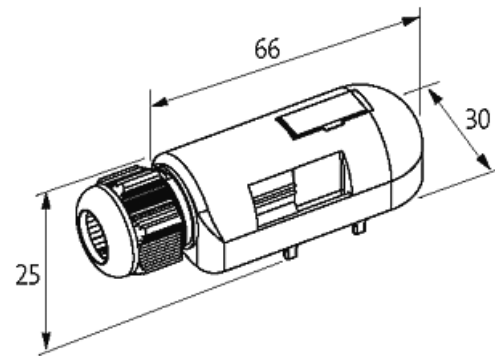
Further cable lengths on request.

Plastic housings with good resistance against chemicals and oils.

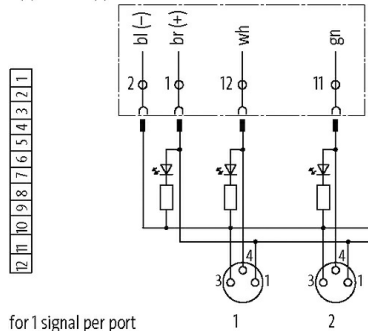
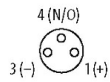
The resistance to aggressive media should be individually tested for your application. Further details on request.

PUR/PVC

3.0 m

[Link to Product](#)**Illustration**

M8-Females 3-pole



for 1 signal per port

Product may differ from Image

**Technical Data**

Housing	Plastic, flame retardant
Total current	max. 8 A

General data

Temperature range	-20...+80 °C, depending on cable quality
-------------------	--

Cables

Cable number	350
--------------	-----

No./diameter of wires	6 × 0.34 + 2 × 0.75 mm ²
Wire isolation	PVC (bl, wh, gn, ye, gr, pk, rd, br)
C-track properties	2 Mio.
Jacket Color	gray
Material (jacket)	PUR/PVC
Outer Ø	7.8 mm ±5%
Bend radius (moving)	10 × outer Ø
Temperature range (fixed)	-30...+80 °C
Temperature range (mobile)	-5...+70 °C
Shield	no
Cable identification	350
Cable Type	2 (PUR/PVC)
Cable weight [g/m]	94,60
Material (wire)	Cu wire, bare
Diameter (core)	6 × 0.34 + 2 × 0.75 mm ²
Material (wire isolation)	PVC
Material property (wire isolation)	CFC-, cadmium-, silicone- and lead-free
Shore hardness (wire isolation)	55 ±5 D
Material (jacket)	PUR/PVC
Material property (jacket)	CFC-, halogen-, cadmium-, silicone- and lead-free, matt, low-adhesion, machine easy to process, abrasion-resistant, hydrolysis and microbial resistant
Shore hardness (jacket)	85 ±5 A
Outer-Ø (jacket)	7.8 mm ±5%
Color (jacket)	gray
chemical resistance	good resistance to oil, gasoline and chemicals
thermal resistance	flame retardant
Nominal voltage	300/300 V AC
Test voltage	2000 V AC
Temperature range (fixed)	-30...+80 °C
Temperature range (mobile)	-5...+70 °C
Bend radius (fixed)	5 × outer Ø
Bend radius (moving)	10 × outer Ø
No. of bending cycles (C-track)	max. 2 Mio. (25 °C)
Traversing distance (C-track)	max. 5 m (horizontal)
Travel speed (C-track)	max. 2 m/s
Acceleration (C-track)	max. 10 m/s ²

Commercial data

country of origin	CZ
customs tariff number	85444290
EAN	4048879055109
eClass	27279219
Packaging unit	1