

M12 female 90° self wireable screw term.4-pol. 0,14 - 1,5mm², 2,5-8mm cable diameter

Female 90°

M12, 4-pole

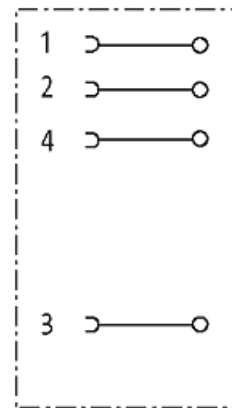
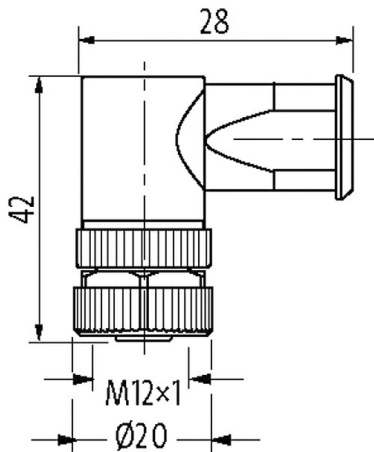
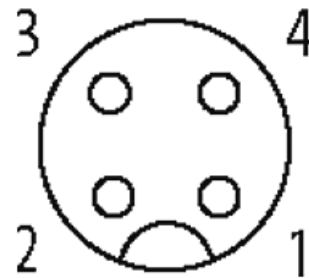
Screw terminals

Plastic housings with good resistance against chemicals and oils.

The resistance to aggressive media should be individually tested for your application. Further details on request.

[Link to Product](#)**Illustration**

Female



Product may differ from Image

**Technical Data**

Operating voltage	max. 250 V AC/DC
Operating current per contact	max. 7.5 A (+40 °C; 1.5 mm ²)
Isolation resistance	≥ 100 MΩ
Connection cross section	0.14...1.5 mm ²
Sealing range (cable Ø)	2.5...8.0 mm
Locking of ports	Screw thread (M12×1 mm) recommended torque 0.6 Nm

Protection	IP67 mounted and tightened
Mating cycles	≥ 100

General data

Pollution Degree	3/2
Dimensions H×W×D	42×28,5×20 mm
Temperature range	-30...+85 °C

Commercial data

country of origin	CZ
customs tariff number	85366990
EAN	4048879838894
eClass	27279221
Packaging unit	1