




Main

Range of product	Lexium PAS E
Product or component type	Portal axis
Product specific application	For 1 direction
Load position	On carriage
Drive type	Toothed belt
Guide type	Ball

Complementary

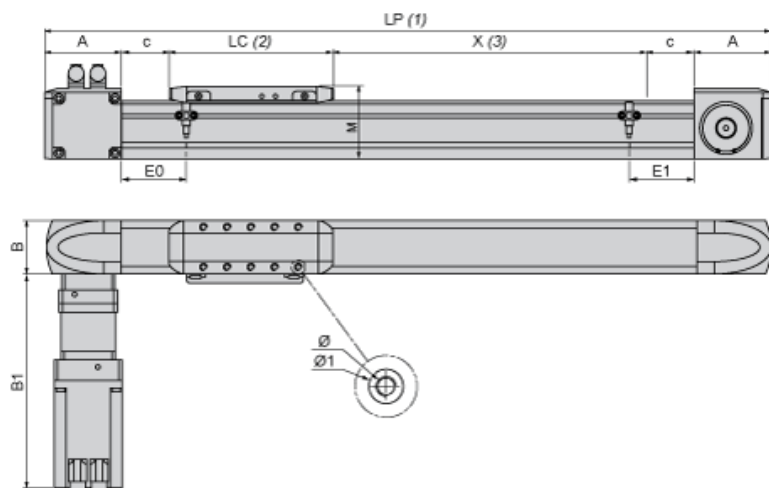
Operating position	Horizontal
Permanent permissible load	12 kg
Distance per revolution	155 mm
Operating force	<= 2810 N for Z axis <= 2810 N for Y axis <= 800 N for X axis
Maximum actuation speed	2 m/s
Maximum acceleration	15 m/s ²
Torque value	<= 74 N.m for Z axis <= 74 N.m for Y axis <= 19 N.m for X axis <= 20 N.m driving torque
Operating travel	1700 mm
Product weight	28.6 kg total 1 kg of carriage 7.5 kg at 0 stroke with carriage and motor
Repeat accuracy	+/- 0.05 mm
Outer dimension	60 x 60 mm
Mechanical service life	30000 km
Associated module	LXM32.D12N4 servo drive (not supplied) PLE60 planetary gearbox, reduction ratio: 5:1 (supplied) BMH0702P06A2A servo motor (supplied)

Offer Sustainability

Sustainable offer status	Not Green Premium product
Product environmental profile	Available  Download Product Environmental
Product end of life instructions	Need no specific recycling operations

The information provided in this documentation contains general descriptions and/or technical characteristics of the performance of the products contained herein. This documentation is not intended as a substitute for and is not to be used for determining suitability or reliability of these products for specific user applications. It is the duty of any such user or integrator to perform the appropriate and complete risk analysis, evaluation and testing of the products with respect to the relevant specific application or use thereof. Neither Schneider Electric Industries SAS nor any of its affiliates or subsidiaries shall be responsible or liable for misuse of the information contained herein.

Size Characteristics



- (1) LP : total length of axis
- (2) LC : length of carriage
- (3) X : Stroke, refer to product characteristics.

A	mm	80
in.	3.15	
B	mm	60
in.	2.36	
B1	mm	278
in.	10.94	
c	mm	15
in.	0.59	
E0	mm	33
in.	1.30	
E1	mm	33
in.	1.30	
LC	mm	206
in.	8.11	
LP	mm	= 190 + LC + X
in.	= 7.48 + LC + X	
M	mm	75
in.	2.95	
Ø	mm	M5 X 12
in.	M5 X 0.47	
Ø1	mm	8 ^{H7} X 2.1
in.	8 ^{H7} X 0.08	

Servo Motor Mounting

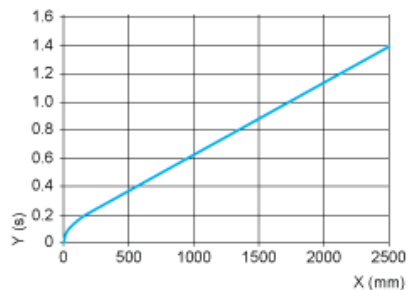
Standard servo motor mounting



Servo motor mounted on the left



Axis Positioning Time as a Function of the Stroke



X : Stroke
Y : Positioning time

Forces and Torques Exerted on the Lexium PAS E Portal Axis

