

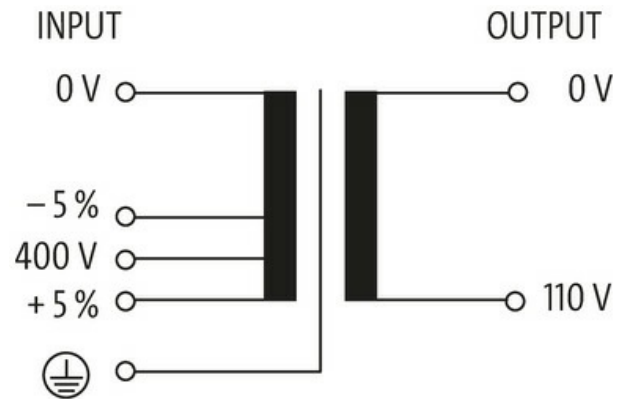
MET SINGLE-PHASE CONTROL AND ISOLATION TRANSFORMER

P:1500VA IN:400VAC±5% OUT:110VAC

Single-phase - Control and Isolation Transformers
1500 VA
Isolation class T 60/B

[Link to Product](#)

Illustration



Product may differ from Image



General data

Standards	EN 61558-1, EN 61558-2-4, EN 62041 category 0
Mounting method	screw fixing
Temperature range	-20...+60 °C, no condensation
Test isolation voltage	5.8 kV (prim./sec.)
Drill hole Ø	7×15 mm
Fixing centers a×b×c	135×142×7 mm

Dimensions H×W×D 142×174×167 mm

Output

Output voltage 110 V AC

Output rating 1500 VA

Input

Input voltage 400 V AC ±5%

Inrush current 85 A (400 V AC)

Short-circuit current 120 A (400 V AC)

Input current 4 A (400 V AC)

Frequency 50...60 Hz

Commercial data

country of origin CZ

customs tariff number 85043200

EAN 4048879073868

eClass 27031202

Packaging unit 1.000