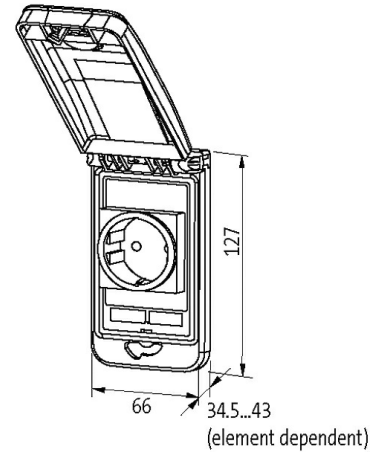


MODLINK MSDD FRAME SINGLE TRANSPARENT

Closure Daimler

Frame: plastic PA black
 Lid: plastic, PC transparent
 Closure: Daimler

[Link to Product](#)**Illustration**

Product may differ from Image

Frame

suitable for mounting with wall thickness	1...5 mm
Protection	IP65
Temperature range	-30...+70 °C (storage temperature -30...+80 °C)
Housing	Frame: plastic PA black, cap: plastic PC transparent

General data

Dimensions H×W×D	127×66×43 mm
------------------	--------------

Commercial data

country of origin	DE
customs tariff number	85389099
EAN	4048879388023
eClass	27189217
Packaging unit	1.000