

MASI65 VALVE PLUG PLUG

2 digital inputs, 2 digital outputs

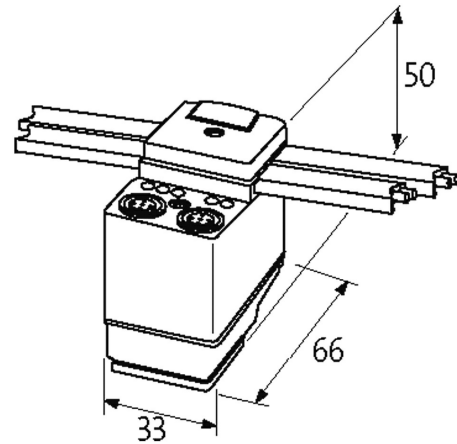
Digital inputs/outputs

DI2 - 0.2 A (M12)

DO2 - 2 A (Form A/M12)

[Link to Product](#)

Illustration



Product may differ from Image



Technical Data

Total current (AS-Interface)	max. 250 mA
Bus voltage (AS-Interface)	26.5...31.6 V DC
Profile (IO/ID/ID2 code)	S-3.F.E
Addressing	1...31 via address port
Pin spacing	18 mm

General data

Temperature range	-20...+70 °C (storage temperature -20...+70 °C)
Protection	IP67
Dimensions H×W×D	50×33×66 mm

Output

Supply voltage	24 V DC external (18...30.2 V DC) EN 61131-2, connection via black AS-Interface profile cable
Connection	OUT 1 (Form A), OUT 2 (M12)
Total current	max. 2 A (only 1 output active)
Switching current per output	max. 2 A (short-circuit and overload protected)

Input

Connection	1 and 2 – M12
Sensor supply US	max. 200 mA from AS-Interface (short-circuit and overload protected)
Type	for 3-wire sensors or mechanical switches, PNP

Diagnostic

Communication status	via LED
Diagnostic via LED	per module

Monitoring - no voltage yes

Commercial data

country of origin	CZ
customs tariff number	85176200
EAN	4048879050180
eClass	27242604
Packaging unit	1.000