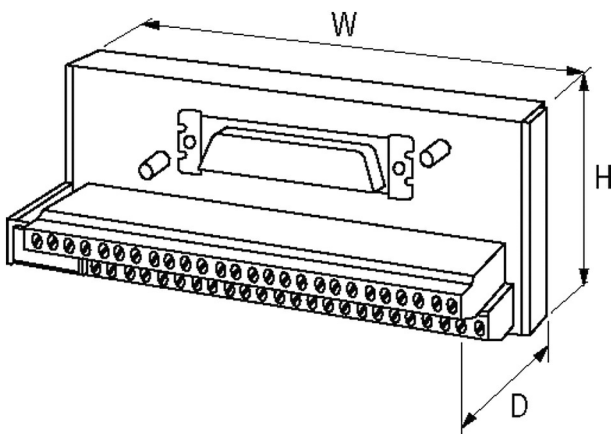
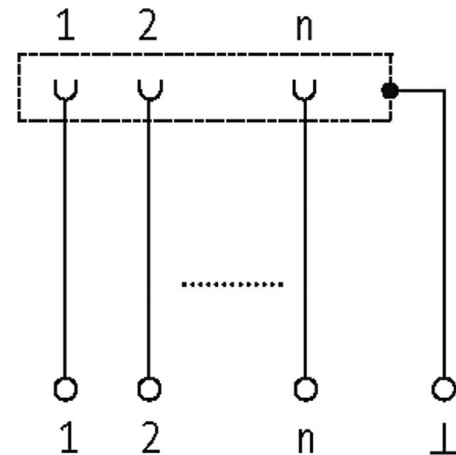
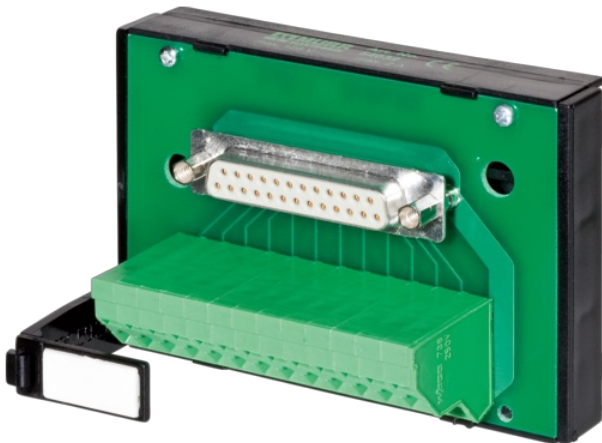


**SV-SUB D 25BU.-KL FK**

Female connector  
25-pole  
Spring clamp terminals

[Link to Product](#)**Illustration**

Product may differ from Image

**Technical Data**

Operating voltage	125 V AC/150 V DC
Material group	EN 60664-1 over voltage, category II
Locking of ports	Standard UNC 4-40 screw thread bolt (EN 60807)
Operating current per bit	max. 2 A

**General data**

Mounting method	DIN-rail mountable (EN 60715)
Temperature range	-20...+70 °C
Dimensions H×W×D	63×95×48 mm

**Commercial data**

country of origin	CZ
customs tariff number	85366990
EAN	4048879021562
eClass	27379201

The information in this brochure has been compiled with the utmost care.  
Liability for the correctness completeness and topicality of the information is restricted to gross negligence. Version: 03/22

Packaging unit

1.000