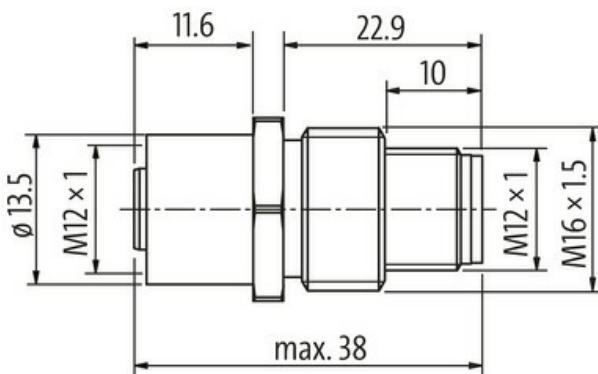
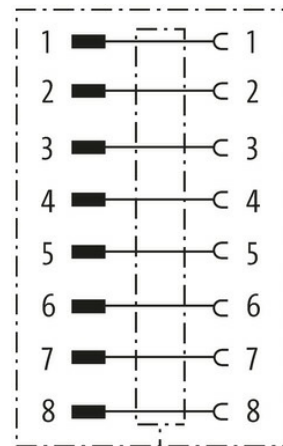
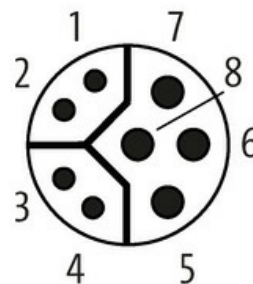


M12 bulkhead receptacle Y-cod.

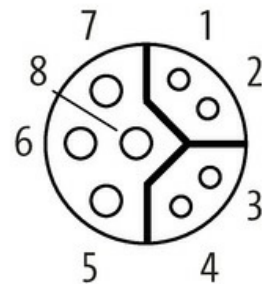
Ethernet CAT5
Control cabinet entry system
Male - female
M12, 8-pole
Y-coded
shielded

[Link to Product](#)**Illustration**

Male



Female



Product may differ from Image



Form

Form 47281

Technical Data

Operating voltage	max. 30 V DC
Rated surge voltage	0.8 kV
Operating current per contact	max. 6 A
Transfer parameters	CAT5, Class D (ISO/IEC 11801:2002), (EN 50173-1)
Transfer rate	up to 100 Mbit/s full duplex

Material group	IEC 60664-1, category I
Coding	Y-coded
Locking of ports	Screw thread (M12×1 mm) recommended torque 0.6 Nm, self-securing
Compression gland	M16 (SW19)
Protection	IP65 and IP67 when plugged and screwed down (EN 60529)
Material	Brass, nickel plated

General data

Pollution Degree	3
Temperature range	-25...+85 °C
Mounting set	M16×1.5 mm

Commercial data

country of origin	DE
customs tariff number	85366990
EAN	4048879600385
eClass	27143423
Packaging unit	1.000