

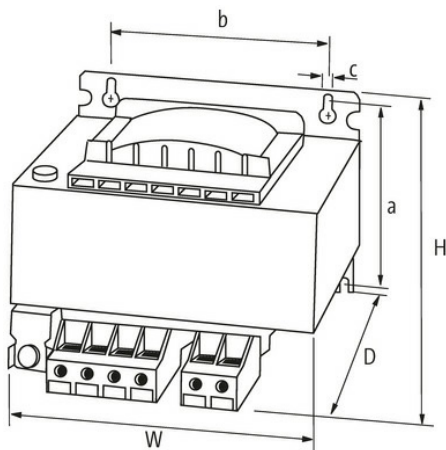
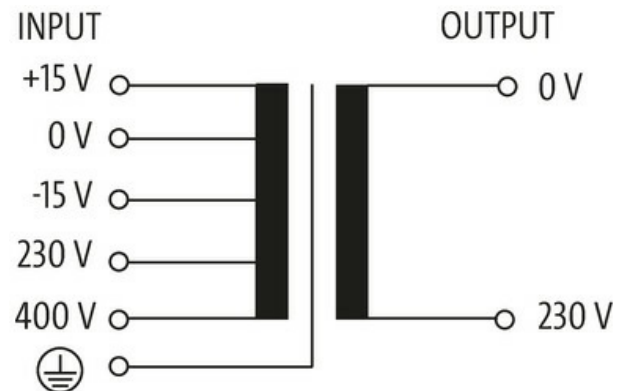
MTS Single-phase control and isolation transformer

P:400VA IN:230-400±15VAC OUT:230VAC

Single-phase - Control and Isolation Transformers
 400 VA
 230/400 ±15 V AC
 Isolation class T 40/B
 Other voltages on request.

Link to Product

Illustration



Product may differ from Image



General data

Standards	EN 61558-1, EN 61558-2-4, EN 62041 category 0
Mounting method	Key-hole mounting
Temperature range	-20...+40 °C (storage temperature -20...+80 °C)
Test isolation voltage	4 kV (prim./sec.)
Drill hole Ø	5.8x10 mm

The information in this brochure has been compiled with the utmost care.
 Liability for the correctness completeness and topicality of the information is restricted to gross negligence. Version: 03/22

Fixing centers a×b×c	86.5×90×5.8 mm
----------------------	----------------

Dimensions H×W×D	104×120×123 mm
------------------	----------------

Output

Output voltage	230 V AC
----------------	----------

Output rating	400 VA
---------------	--------

Input

Input voltage	230/400 ±15 V AC
---------------	------------------

Inrush current	33 A (230 V AC); 19 A (400 V AC)
----------------	----------------------------------

Short-circuit current	37 A (230 V AC); 21 A (400 V AC)
-----------------------	----------------------------------

Input current	1.89 A (230 V AC); 1.1 A (400 V AC)
---------------	-------------------------------------

Frequency	50...60 Hz
-----------	------------

Commercial data

country of origin	CZ
-------------------	----

customs tariff number	85043180
-----------------------	----------

EAN	4048879572613
-----	---------------

eClass	27031202
--------	----------

Packaging unit	1.000
----------------	-------